

Sirios LED Emergency Lighting

Instruction and Operation Manual



EATON

Powering Business Worldwide

Table of Contents

Installation - Maintenance	4
General Information	
1. Safety information	5
2. Scope of Operation	5
3. General product information	5
4. Order codes	5
Installation instructions	
5. Step by step mounting instructions	6
6. Connections and wiring	6
7. Light Distribution	6
Operating Instructions	
8. Mains Operation	7
9. Emergency Operation	7
10. Autotest Operation	7
11. Dimensions	7

SAFETY INSTRUCTIONS

- **The device shall only be used for its intended purpose and in undamaged and flawless condition**
- **Only genuine Eaton spare parts may be used for replacement and repair**
- **Observe the national safety rules and regulations to prevent accidents as well as the safety instructions included in these instruction leaflet**

Sirios LED Emergency Lighting - Installation / Maintenance

EN English

- A) Battery connected – charging.
 B) Not charging / service needed.
 C) Battery should be replaced when rated duration is no longer achieved.
 Battery is not a user serviceable item; it shall only be replaced by a competent person.
 D) Autotest indication.

GR Greek

- A) Μπαταρία συνδεδεμένη –φορτίζεται.
 B) Δεν φορτίζεται / απαιτείται επισκευή.
 C) Η μπαταρία πρέπει να αντικαθίσταται όταν δεν επιτυγχάνεται η δηλωμένη αυτονομία εφεδρείας.
 Η μπαταρία πρέπει να αντικαθίσταται μόνο από εξειδικευμένο προσωπικό και όχι να επισκευάζεται από τον χρήστη.
 D) Ένδειξη αυτοδιάγνωσης.

IT Italian

- A) Batteria collegata – in carica.
 B) Ricarica assente / necessaria assistenza.
 C) La batteria dovrà essere sostituita quando l'autonomia nominale non è più raggiunta.
 La batteria non è sostituibile dall'utilizzatore; essa può essere sostituita solamente da personale qualificato.
 D) Indicazione autotest.

PT Portuguese

- A) Bateria conectada – em carga.
 B) Não está a carregar / verificação necessária.
 C) A bateria deve ser trocada a partir do momento que a duração estipulada não seja atingida.
 A bateria deve ser trocada por uma pessoa competente e não pelo utilizador final.
 D) Indicação autotest.

ES Spanish

- A) Bateria conectada - en carga.
 B) Bateria sin carga - verificación necesaria.
 C) La batería debe ser sustituida cuando la duración nominal no es alcanzada.
 La batería no debe ser manejada por el usuario; sólo por una persona competente.
 D) Indicación autotest.

NL Dutch

- A) Batterij aangesloten - wordt opgeladen.
 B) Wordt niet opgeladen - service noodzakelijk.
 C) Batterij moet worden vervangen als de aangegeven autonomie niet meer wordt gehaald.
 Batterij mag uitsluitend door een bekwam persoon worden vervangen.
 D) Autotest indicatie.

FR French

- A) Batterie connectée – En charge.
 B) Pas de charge / Maintenance nécessaire.
 C) Si l'autonomie assignée n'est pas respectée, la batterie doit être changée.
 La batterie n'est pas un élément réparable par l'utilisateur, il doit être remplacé par une personne compétente
 D) Indication autotest.

PL Polish

- A) Bateria podłączona - ładowanie.
 B) Bra ładowanie / potrzebna naprawa.
 C) Bateria powinna być wymieniona na nową w przypadku gdy czas świecenia w trybie awaryjnym jest krótszy od wymaganego.
 Wymiana baterii wyłącznie przez wykwalifikowany personel.
 D) Autotest wskazanie.

SE Swedish

- A) Batteri anslutet - laddas.
 B) Laddas inte / Service krävs.
 C) Batteriet skall bytas ut när märkt drifttid inte uppfylls
 Batteri bör endast bytas av kunnig/behörig personal.
 D) Autotest indikation.

DK Danish

- A) Batteri ok.
 B) Lader ikke / tjek lader.
 C) Batteriet udskiftes, når den påstemplede nøddriftstid ikke kan opnås.
 Batteriet er ikke et servicebart produkt. Det bør kun udskiftes af fagpersonale.
 D) Autotest indikation.

CZ Czech

- A) Baterie zapojená – nabíjení.
 B) Nenabíjí se / kontaktujte servis.
 C) Baterie je potřebné vyměnit v případě, kdy není dosažována doba provozu.
 Baterii se nepokoušejte opravovat; zabezpečte instalaci nové baterie vyškoleným pracovníkem.
 D) Autotest indikace.

RUS Russian

- A) Батарея подсоединена – зарядка.
 B) Не заряжается / требуется сервис.
 C) Аккумулятор следует заменить, когда срок работы в аварийном режиме больше не может быть достигнут.
 Аккумулятор подлежит замене только квалифицированным электриком.
 D) Автотест индикация.

SK Slovak

- A) Batéria zapojená – nabíjanie.
 B) Nenabíja sa/kontaktujte servis.
 C) Batériu je potrebné vymeniť v prípade, keď nie je dosahovaná predpísaná doba prevádzky.
 Batériu sa nepokúšajte opravovať; zabezpečte inštaláciu novej batérie znalým pracovníkom.
 D) Autotest indikácia.

HU Hungarian

- A) Akkumulátor csatlakoztatva - töltés.
 B) Nincs töltés / karbantartás szükséges.
 C) Az akkumulátor cseréje szükséges ha a névleges áthidalási idő nem biztosított
 Az akkumulátor cseréje csak szakember által kivitelezhető.
 D) Autotest jelzés.

SLO Slovenian

- A) Baterija priklopljena – polnjenje.
 B) Napaka polnjenja / potreben pregled.
 C) Baterija mora biti zamenjana, ko ne zagotavlja več željene avtonomije.
 Baterija je lahko zamenjana samo s strani za to pooblašcene in usposobljene osebe.
 D) Autotest navedba.

HR Croatian

- A) Baterije povezane - polnjenje.
 B) Ni polnjenja / potrebna servisiranje.
 C) V primeru, da je avtonomija svetilke manjša od predpisane, je potrebno baterijo zamenjati.
 Baterije ne sme menjati uporabnik svetilke, ampak le usposobljena oseba.
 D) Autoprovjeravanje pokazatelj.

VC Serbian

- A) Baterija povezana - punjenje.
 B) Nema punjenja / potreban servis.
 C) Baterije treba zameniti kada standardizovano trajanje više nije moguće postići.
 Baterija nije upotrebljiv proizvod; ona će biti zamenjena samo od strane odgovornog lica.
 D) Autotest pokazatelj

EE Estonian

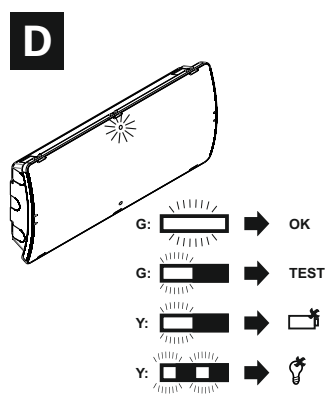
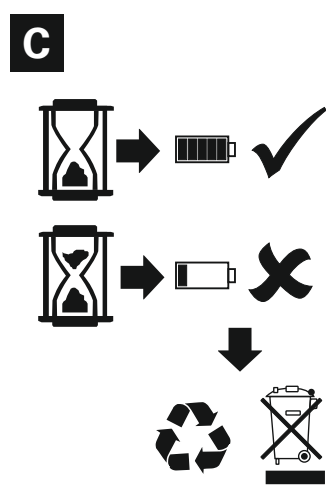
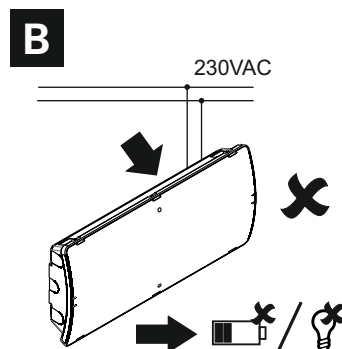
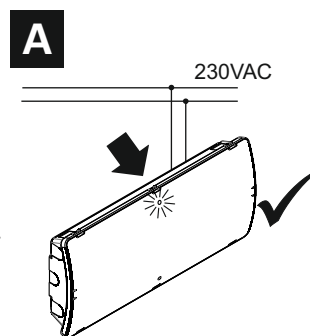
- A) Akupatarei on ühnedatud – laeb.
 B) Laadimist ei toimu / vajab hooldust.
 C) Akupatarei vajab väljavahetamist kui ettenud toimimisaega ei ole võimalik saavutada.
 Akupatarei ei ole kasutaja poolt hooldatav; hooldus tuleb läbi viia vastava pädevusega kompetentse isiku poolt.
 D) Autotest tähis.

LV Latvian

- A) Akumulators pievienots – notiek uzlāde.
 B) Nenotiek uzlāde / Nepieciešams serviss.
 C) Akumulatoru aizstāt ar jaunu, ja nominālais ilgums netiek sasniegts.
 Baterija nav lietotāja apkalpojama detaļa, akumulatoru nomainīt var tikai kompetenta persona.
 D) AutoTest norāde.

LT Lithuanian

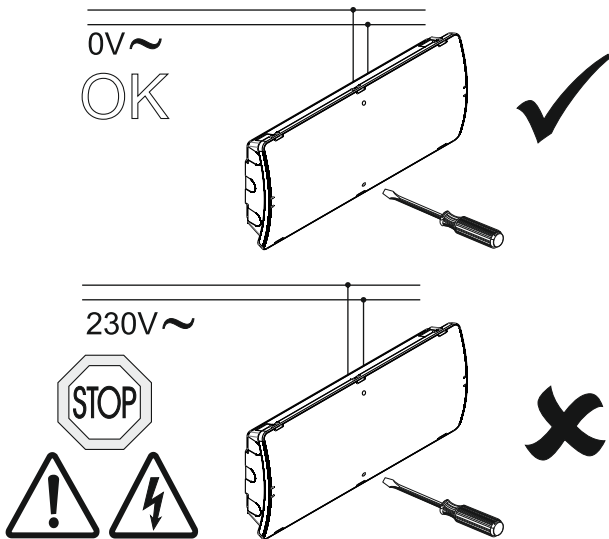
- A) Baterija prijungta - kraunasi.
 B) Nesikrauna / reikalingas servisas.
 C) Pasibaigus tarnavimo laikui baterija turi būti pakeista.
 Baterija nėra ardoma; ją pakeisti gali tik kompetentingas asmuo.
 D) Autotest nuoroda.



Sirios LED Emergency Lighting - General Information

1. Safety Information

Observe the national safety rules and regulations to prevent accidents as well as the safety instructions included in these instruction leaflet.



2. Scope of Operation

Sirios LED is range of emergency lights with low profile, designed and equipped with technical solutions and accessories for a wide range of applications such as offices, restaurants, hotels, hospitals and general commercial applications

The range of accessories includes a recessed base for installation to walls and false ceilings and an IP65 weatherproof kit.



Sirios LED front view

Sirios LED emergency lights are suitable for both antipanic and up to 30m viewing distance exit sign applications.

3. General Product Information

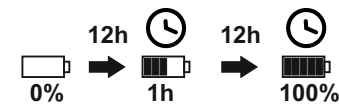
Light Source:
24 white LED 1.5W

Materials:
White polycarbonate base and reflector
Clear polycarbonate diffuser

Operation:
Maintained & Non-Maintained (user selectable)
Autonomy 1h up to 3h
Functional test integrated into the diffuser
Inhibition and Rest Mode
Autotest & slave models available

Installation:
Wall and Ceiling
Installation kit for recessed wall and ceiling
Base for quick mounting (accessory)
Panel, double-sided printed for reporting security (optional)
Protection Kit IP65 for outdoor use

Applications:
Schools, universities, public administration, commercial environments



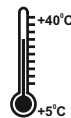
24h charge for optimal operation



recyclable parts complying with WEEE directive



designed for indoor use (for outdoor applications use IP65 kit)



temperature range +5°C to +40°C



class II

4. Order codes

Sirios LED order codes

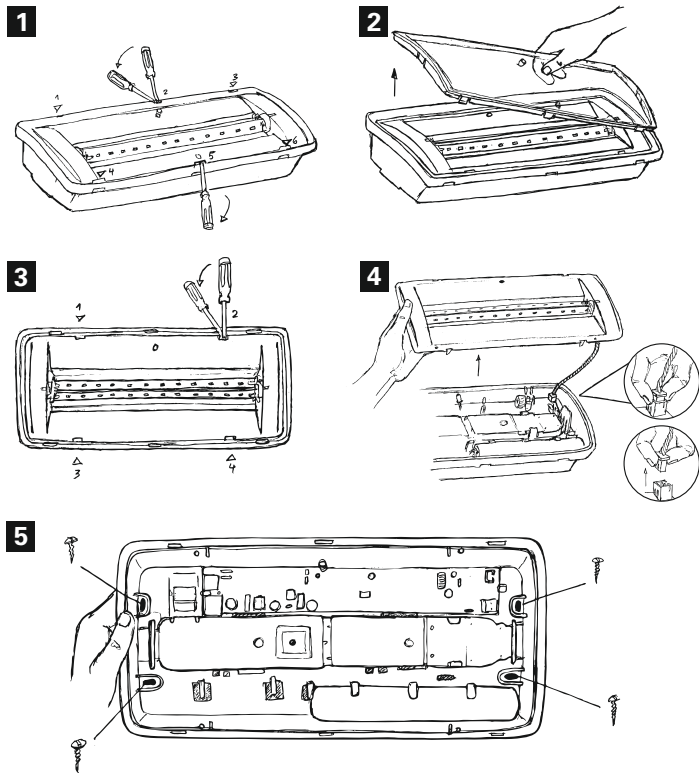
Order code	Description
O-SLED	Sirios LED 2hours self-contained
O-SLED-3H	Sirios LED 3hours self-contained
O-SLED-AT	Sirios LED 1hour Autotest
O-SLED-AT-3H	Sirios LED 3hours Autotest
O-SLED-MAINS	Sirios LED Mains

Accessories

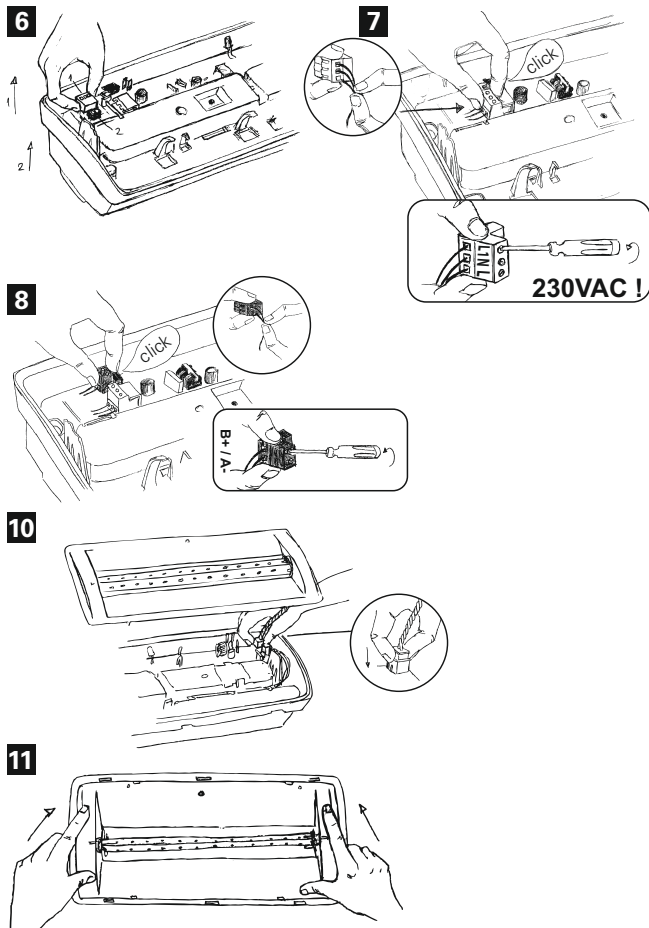
Order code	Description
O-SLED-STRIPE	Led stripe accessory for Sirios LED
O-S-WB	Wall mounting base
O-S-RB	Recessed base
O-S-IP	Weatherproof base
171-000-032	Vertical metal base (O-MP41)
171-000-035	Horizontal metal base (O-PU41)

Sirios LED Emergency Lighting - Installation instructions

5. Step by step Mounting Instructions

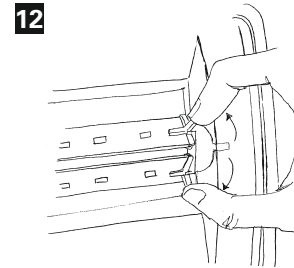


6. Connections & wiring

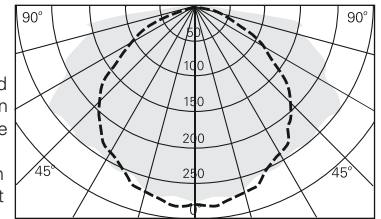


7. Light Distribution

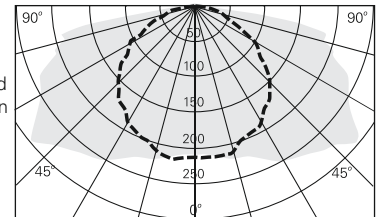
By changing the orientation of the LED strip you can adjust and choose the light distribution of Sirios LED



Open position (A)
suggested application for Escape Route, up to 9,5m in 4m height



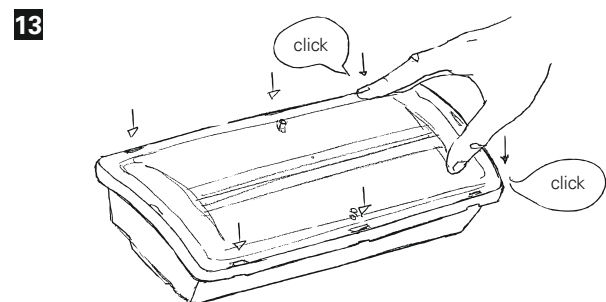
Closed position (II)
suggested application for Anti-panic



Summary

Application			
Led position	Exit Sign	Antipanic	Escape Route
Open (A)	Best*	Best**	Good
Closed (II)	Good	Good	Best***

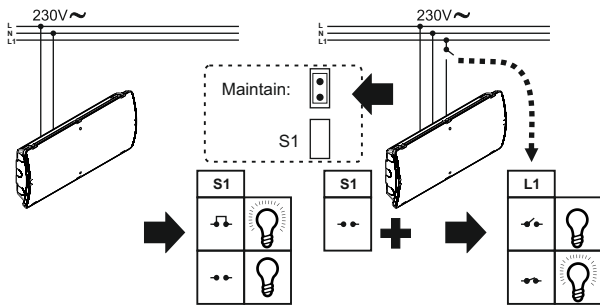
- * Better uniformity on sign
- ** Bigger covering area,
- *** Longer distance in smaller heights, lower illuminance diversity along the route path



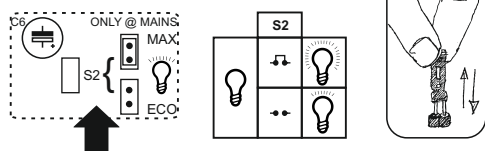
Sirios LED Emergency Lighting - Operating instructions

8. Mains Operation

Maintained operation

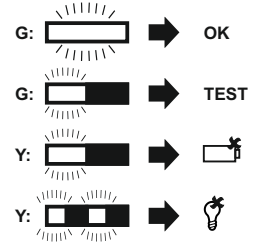
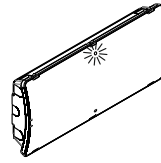


ECO operation



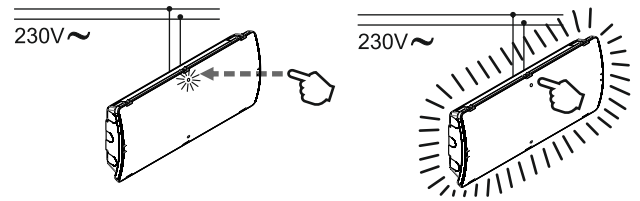
Max = 50mA (100%)
Eco = 33mA (66%)

Autotest indications



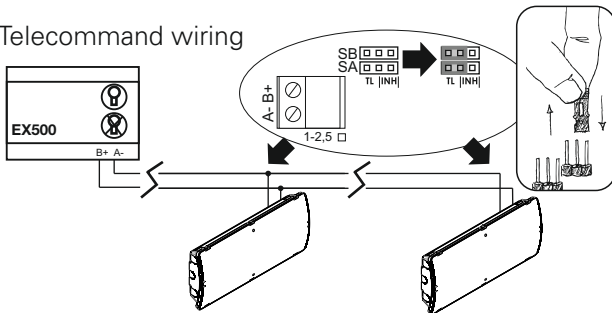
■ Functional test, every week (7x24h)
■ Duration test, every 10 weeks (70x24h)

Manual test

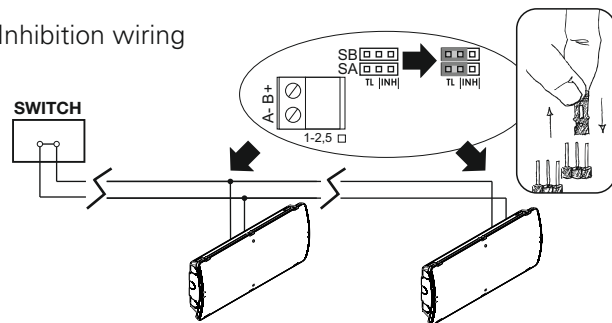


9. Emergency Operation

Telecommand wiring

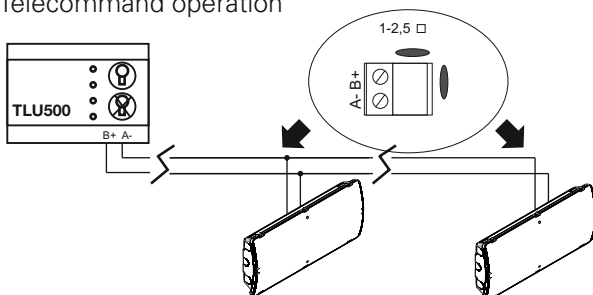


Inhibition wiring



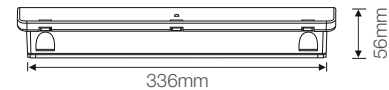
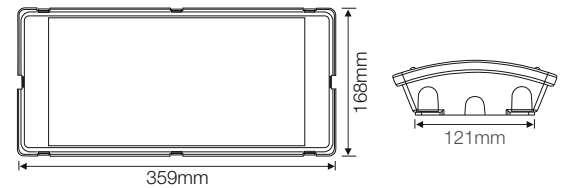
10. Autotest Operation

Telecommand operation

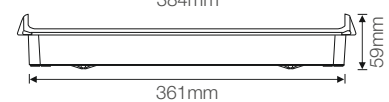
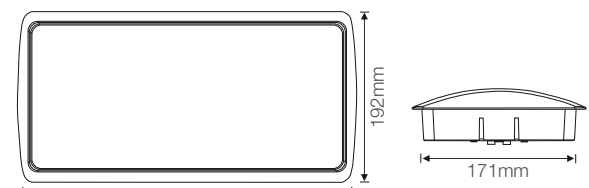


11. Dimensions

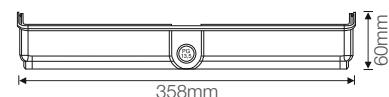
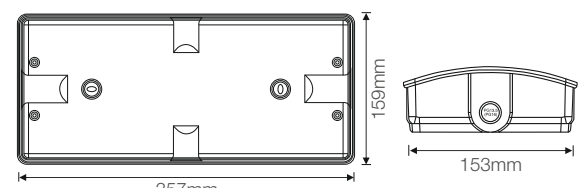
Sirios LED



Sirios recessed base



Sirios weatherproof base



Eaton is dedicated to ensuring that reliable, efficient and safe power is available when it's needed most. With unparalleled knowledge of electrical power management across industries, experts at Eaton deliver customized, integrated solutions to solve our customers' most critical challenges.

Our focus is on delivering the right solution for the application. But, decision makers demand more than just innovative products. They turn to Eaton for an unwavering commitment to personal support that makes customer success a top priority. For more information, visit www.eaton.com/electrical.

Eaton Industries Manufacturing
Electrical Sector EMEA
Route de la Longeraie 7
1110 Morges, Switzerland
Eaton.eu

Cooper Univel S.A.
Thessalonikis 88
60100 Katerini, Greece

© 2014 Eaton
All Rights Reserved
Printed in EU
Publication No. 1-05-250 (R1)
May 2014

Eaton is a registered trademark.

All other trademarks are property of their respective owners.