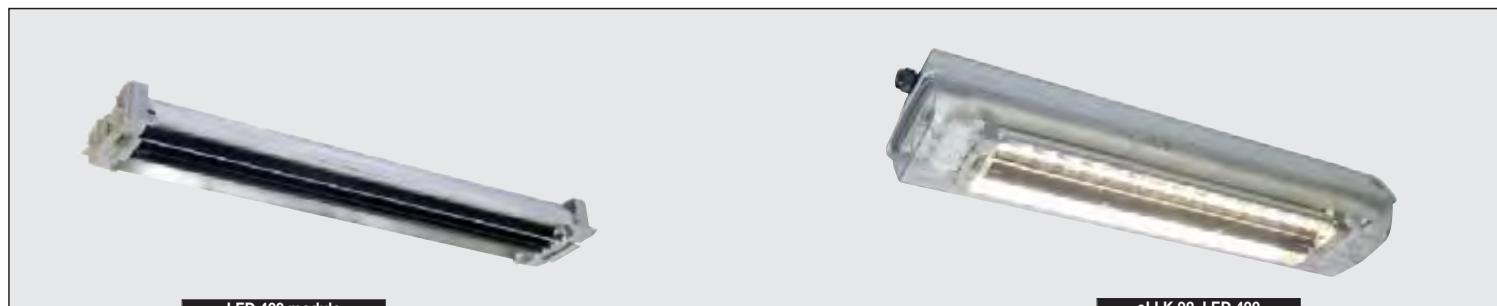


eLLK/M 92 LED 400/800



LED 400 module

eLLK 92 LED 400

Technical Data

eLLK/M 92 LED 400 / eLLK/M 92 LED 800

Marking to 94/9/EC	⊕ II 2 G Ex d e mb IIC T4 Gb ⊕ II 2 D Ex tb IIIC T80 °C Db IP66
EC-Type Examination Certificate	BVS 09 ATEX E 034
IECEX-Certification of conformity	IECEX BVS 09.0033
Marking to IECEX	Ex d e mb IIC T4 Gb/ Ex tb IIIC T80 °C Db
Rated voltage	110 - 254 V AC, 110 - 250 V DC
Frequency	50/60 Hz
Permissible ambient temperature	-25 °C up to +45 °C
Lifetime	L 70 = 60,000 h at ta = 25 °C
Power factor cos φ	>0.95
Driver	EVG 09
Connecting terminals	L1, L2, L3, N, PE; max. 2 x 6 mm ² per terminal
Insulation class	I
Light colour	4000 K
CRI	>75
Illuminance at measurement plane	equivalent to related fluorescent tubes
Degree of protection accd. EN 60529	IP 66
Cable glands/Gland plates/Enclosure drilling	Ex-e cable glands M25 x 1.5 (plastic) for cables Ø 8 - 17 mm Option: M20 x 1.5 metal thread
Enclosure material	Glass fibre reinforced polyester
Protective cover/protective bowl	Polycarbonate

	eLLK/M 92 LED 400	eLLK/M 92 LED 800
Rated current	0.15 A	0.25 A
Lamp/Illuminant	LED module 2 x 13 W	LED module 2 x 26 W
Dimensions (L x W x H)	760 x 188 x 130 mm	1360 x 188 x 130 mm
Weight	6.9 kg	10.7 kg

LED Module	LED 400	LED 800
Marking to 94/9/EC	⊕ II 2 G Ex e mb IIC Gb	⊕ II 2 G Ex e mb IIC Gb
EC-Type Examination Certificate	BVS 13 ATEX E 018 U	BVS 13 ATEX E 018 U
Marking to IECEX	Ex e mb IIC Gb	Ex e mb IIC Gb
IECEX-Certification of conformity	IECEX BVS 13.0030 U	IECEX BVS 13.0030 U
Dimensions	to fit into eLLK/M 92 018/18	to fit into eLLK/M 92 036/36
Weight	1.7 kg	3.3 kg

LINEAR LED LIGHT FITTING



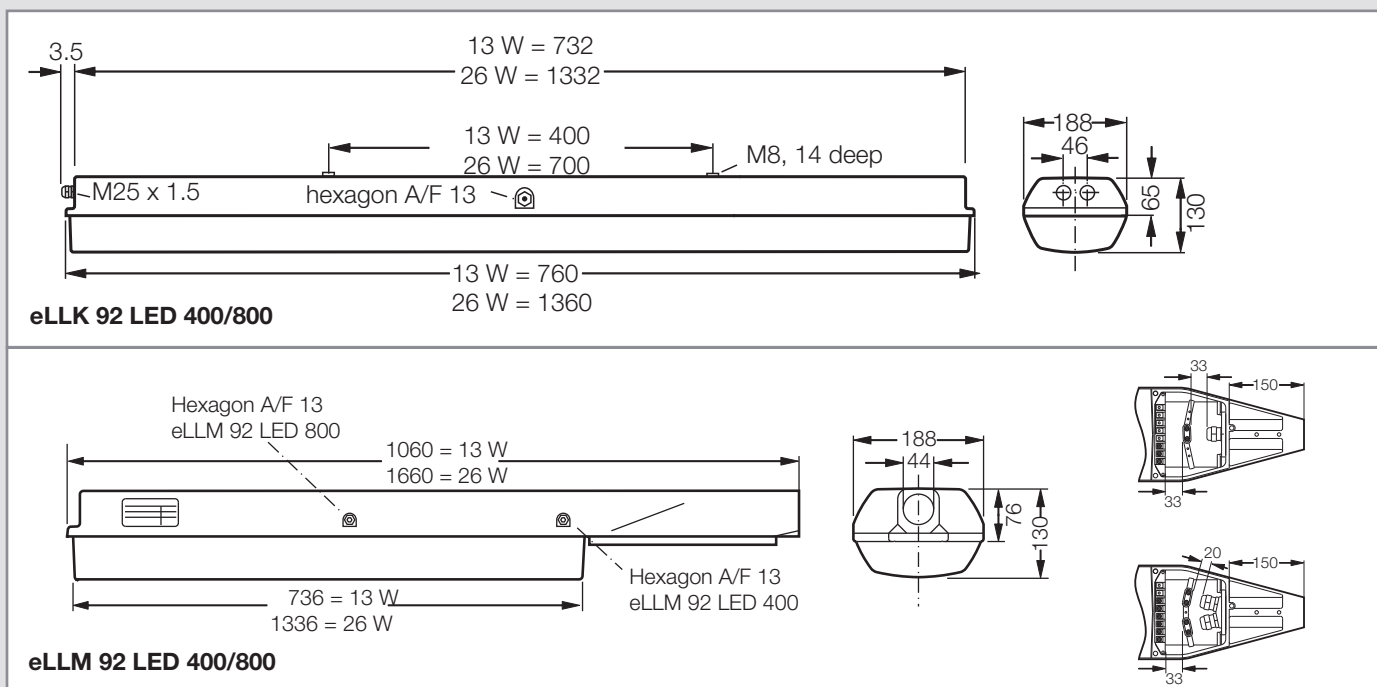
Ordering details

Type	Terminals	Through-wiring		Cable glands ²⁾	Plugs	Order No
		single-ended	double-ended			
eLLK 92 LED 400						
1/6-1	1 x 6	x	-	2 x M25 x 1.5	1 x blanking	1 2265 500 101
2/6-2	2 x 6	-	x	2 x M25 x 1.5	2 x threaded	1 2265 500 103
1/6-1 M ¹⁾	1 x 6	x	-	2 x M20 x 1.5	1 x threaded	1 2265 500 109
2/6-2 M ¹⁾	2 x 6	-	x	4 x M20 x 1.5	2 x threaded	1 2265 500 111
eLLM 92 LED 400						
1/6-1	1 x 3	-	-	1 x M25 x 1.5		1 2268 500 101
eLLK 92 LED 800						
1/6-1	1 x 6	x	-	2 x M25 x 1.5	1 x blanking	1 2266 500 101
2/6-2	2 x 6	-	x	2 x M25 x 1.5	2 x threaded	1 2266 500 103
1/6-1 M ¹⁾	1 x 6	x	-	2 x M20 x 1.5	1 x threaded	1 2266 500 109
2/6-2 M ¹⁾	2 x 6	-	x	4 x M20 x 1.5	2 x threaded	1 2266 500 111
eLLM 92 LED 800						
1/6-1	1 x 3	-	-	1 x M25 x 1.5		1 2269 500 101
LED Module						
LED-Module 400 for eLLK/M 92 018/18, packed						1 2255 213 501
LED-Module 800 for eLLK/M 92 036/36, packed						1 2256 226 501

- 1) M: with metal thread, without cable gland
 2) With dustcover if entry/thread is not closed

Scope of delivery without fixing accessories.

Dimension drawing



eLLK/M 92 LED 400/800



Polar curve

