

# TITAN S



A comprehensive range of compact, high-power luminaires.



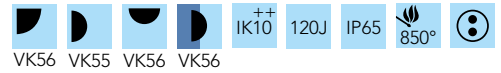
Titan S2



Titan S3



Titan S4



Features:

- High-power vandal-resistant luminaire
- Wall- (Titan S3) or corner- (Titan S2) mounting versions: body and frame in ZP steel
- Flush-mounting version (Titan S4): body and frame in painted 304L stainless steel
- CCT 4000 K, CRI min. 80
- Polyester powder-coated finish
- Opal polycarbonate diffuser (for LED version)
- Stainless steel vandal-resistant screws
- Wall- and corner-mounting versions supplied c/w nickel-plated brass cable gland
- Flush-mounting version supplied c/w IP66 cable seal

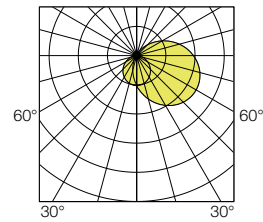
■ RAL7016

Options available on request:

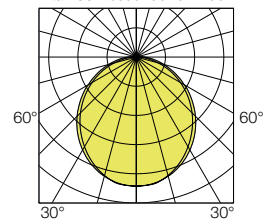
- 3000 K LEDs
- Version with emergency pack
- Standby LED

🔧 Vandal-resistant tool (bit) to be ordered separately code: 9800 0004

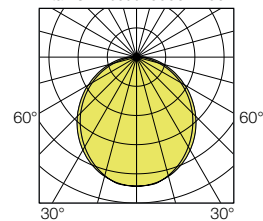
Titan S2 - code: 5005 1400



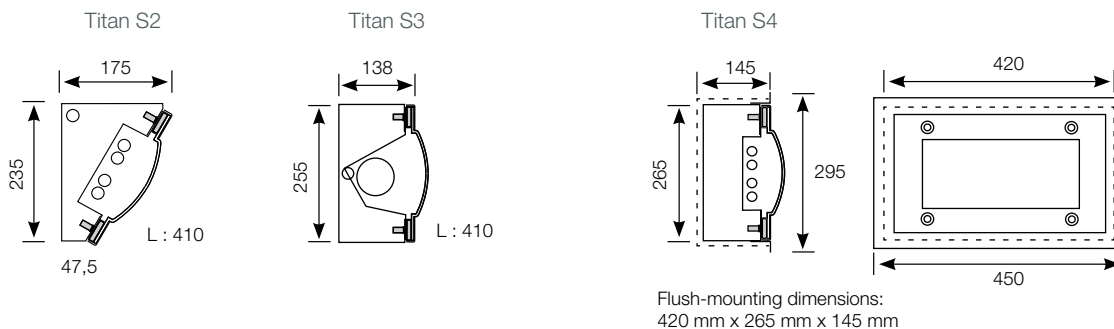
Titan S3 - code: 5025 1400



Titan S4 - code: 5056 1400



**NEW!**  
Flush version Titan S4 in stainless steel  
See page 154



## TITAN S LED

220-240 V AC / 50/60 Hz

| Power (W) | Luminaire light output (lm) | Luminaire efficacy (lm/W) | TITAN S2          | TITAN S3          | TITAN S4          |
|-----------|-----------------------------|---------------------------|-------------------|-------------------|-------------------|
| 14        | 1100                        | 79                        | <b>5006 14 ..</b> | <b>5026 14 ..</b> | <b>5056 14 ..</b> |
| 22        | 1750                        | 80                        | <b>5007 14 ..</b> | <b>5027 14 ..</b> | <b>5057 14 ..</b> |
| 34        | 2500                        | 74                        | <b>5005 14 ..</b> | <b>5025 14 ..</b> | <b>5055 14 ..</b> |

Lifetime: L90B50 / 50,000 h

Coding:

replace the two dashes (--) by the corresponding figures: e.g. **5006 14 ..**

- 00** no detection
- 12** with Pro detection

Fluorescent and metal-halide versions: please contact us

## Additional options Titan S2-3-4

Coding:

add the corresponding suffix to the product code: **5006 1400 .....**

- 9413** flat Duroflam® diffuser
- 9415** flat opal PC diffuser
- 9601** anti-graffiti protection
- 9702** stainless steel crosspoint screws (VK54)

TITAN S 2: [direct 500](#)

TITAN S 3: [direct 502](#)

TITAN S 4: [direct 504](#)