

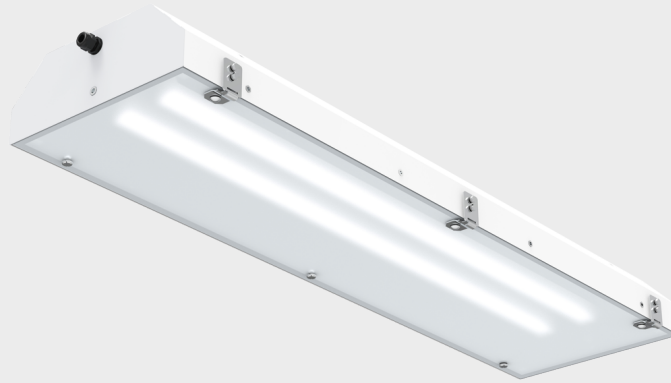
## PITBUL-Ex-LED-OP-D-8000-418-4K-3F, IP65, 5x1,5 mm<sup>2</sup>

Product type: 053701-3F

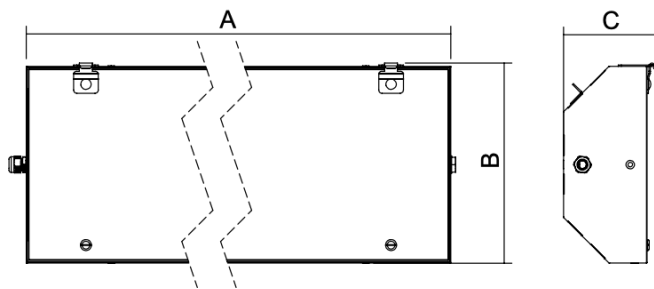
Item number: 38124

IP65

1/21



Robust metal linear luminaire designed for explosion hazardous areas for ATEX zone 1/21. Body made of powder coated steel sheet (RAL 9016) – alternatively stainless steel AISI304 or AISI316. Cover made of opal tempered safety glass. Equipped with certified electronic components – encapsulated LED module and driver guarantee high efficiency up to 159 lm/W and LED lifetime up to 50,000 h even at high temperatures. It features a high splash and dust resistance of IP65. Suitable for ambient temperatures from -40 °C to +60 °C (depending on luminaire variant). Silicone-free – certified according to VDMA 24364. Mounting with ceiling brackets, positionable brackets, built-in frames or pipe brackets allows a wide variety of applications. Designed to be mounted, recessed or suspended.



### Dimensions

**A x B x C** 703 mm x 369 mm x 142 mm

**Net weight** 10,36 kg

## Specifications

### Light technical data

<b>Lighting fixture luminous flux</b>	6663 lm +/-10%	<b>Luminaire efficiency</b>	131 lm/W
<b>CRI</b>	≥80	<b>MacAdam</b>	3
<b>Beam angle</b>	Very wide beam >80°	<b>Colour temperature</b>	4000 K

### Electrical data

<b>Power input</b>	51 W	<b>Rated voltage AC</b>	220-240 V
<b>Frequency</b>	50/60 Hz	<b>Rated voltage DC</b>	220-240 V
<b>Control method</b>	ON/OFF luminaire	<b>Through-wiring</b>	5×1.5 mm <sup>2</sup>
<b>Insulation class</b>	I		

### Mechanical data

<b>IP classification</b>	IP65	<b>IK classification</b>	IK10+
<b>Warranty</b>	5 years	<b>Operating temperature</b>	-20°C ≤ t <sub>a</sub> ≤ 55°C

### Certification

<b>ATEX</b>	FTZU 16 ATEX 0089X	<b>EAC</b>	RU C-CZ.EX01.B00121/19
-------------	--------------------	------------	------------------------

### Explosion protection ATEX

<b>Ex ZONE</b>	1/2I	<b>ATEX zone – gas</b>	Ex II 2G Ex db mb op is IIC T4 Gb
<b>ATEX zone – dust</b>	Ex II 2D Ex tb op is IIIC T67°C Db		

### Materials

<b>Material of the body</b>	painted steel sheet	<b>Body colour</b>	white RAL 9016
<b>Cover material</b>	OPG – frosted tempered safety glass		

### Packaging

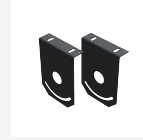
<b>Barcode (EAN)</b>	8592040270564	<b>Number of pieces per pallet</b>	15 pcs
<b>Gross weight</b>	11,92 kg		

**Accessories to order**
**Hinge screw DIN 580 M8-eye**

Item number: **2038**  
 Product type: **004642**


**Set of adjustable brackets PITBUL (2 pcs)**

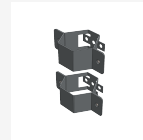
Item number: **4317**  
 Product type: **053940**


**Set of ceiling stainless steel handles PITBUL, AISI304 (2pcs)**

Item number: **4811**  
 Product type: **054935**


**Set of pipe clamps Ø 60 mm (2"), M8, AISI304 (2 pcs)**

Item number: **75312**  
 Product type: **051100**


**Set of pipe clamps Ø 50 mm (1 1/2"), M8, AISI304 (2 pcs)**

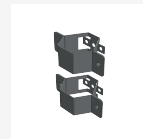
Item number: **75313**  
 Product type: **051101**


**Set of pipe clamps Ø 42 mm (1 1/4"), M8, AISI304 (2 pcs)**

Item number: **75314**  
 Product type: **051102**


**Set of pipe clamps Ø 60 mm (2"), M8, AISI316 (2 pcs)**

Item number: **75315**  
 Product type: **051103**


**Set of pipe clamps Ø 50 mm (1 1/2"), M8, AISI316 (2 pcs)**

Item number: **75316**  
 Product type: **051104**



**Set of pipe clamps Ø 42 mm (1 1/4"), M8, AISI316 (2 pcs)**

Item number: **75317**  
 Product type: **051105**

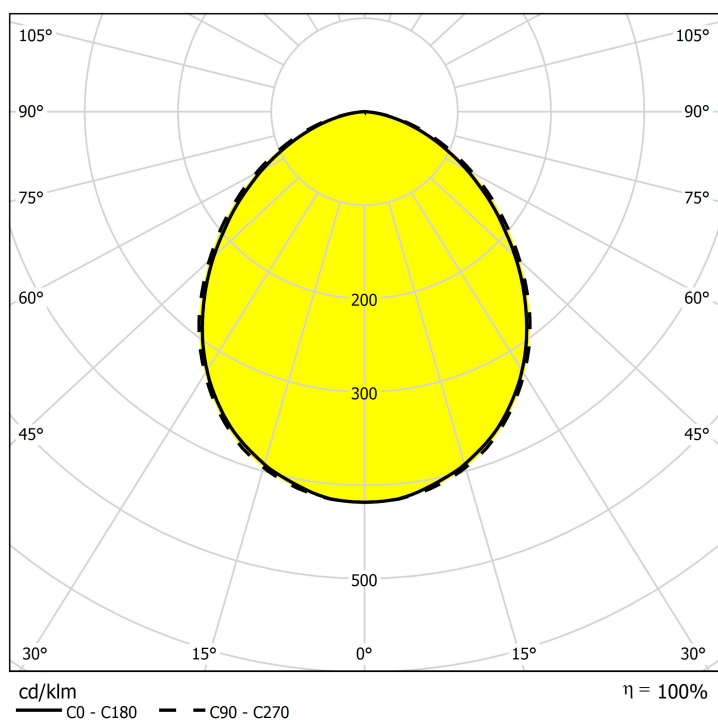


**Set for recessed installation PITBUL 4x18W**

Item number: **4319**  
 Product type: **053942**



**Polar diagram**



© 2026 All rights reserved. VYRTYCH a.s. does not warrant the accuracy or completeness of the information provided herein and is not responsible for any events that may occur as a result of unqualified reliance on this information. The information contained herein does not constitute a commercial offer and does not form part of a quotation or contract, unless confirmed by VYRTYCH a.s..