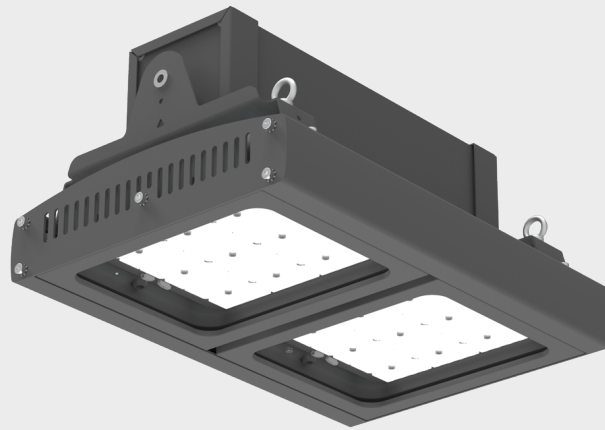


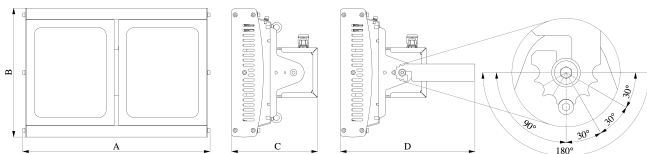
**BERGER-N-LED-2,21-T60-WO-19800-4K-2M, IP66**

Product type: 080817

Item number: 46060

**IP66**
 **2/21**


HIGH-BAY type luminaire designed for explosion hazardous areas for ATEX Zones 2/21, 22. Robust aluminium body (RAL 7043) with clear safety glass. The luminaire's optical system offers a large variation of light curves for different applications. Equipped with high-quality electronic components with an efficiency of up to 179 lm/W and a high LED lifetime of up to 100,000 h even at high temperatures. The modular system of the luminaire allows the selection of light output according to the needs of the project. It is characterized by high splash and dust resistance IP66. Suitable for ambient temperatures from -40 °C to +70 °C (depending on luminaire variant). Excellent heat dissipation due to cooling of each light module. Designed for hanging or clip-on (positionable) mounting. The adjustable boom allows a wide variation in the use of the luminaire.


**Dimensions**
**A x B x C**

415 mm x 285 mm x 190 mm

**Net weight**

9,7 kg

## Specifications

### Light technical data

<b>Lighting fixture luminous flux</b>	17243 lm +/-10%	<b>Luminaire efficiency</b>	161 lm/W
<b>CRI</b>	≥80	<b>MacAdam</b>	3
<b>Beam angle</b>	WO – without optical system	<b>Colour temperature</b>	4000 K

### Electrical data

<b>Power input</b>	107 W	<b>Rated voltage AC</b>	220-240 V
<b>Frequency</b>	50/60 Hz	<b>Rated voltage DC</b>	220-240 V
<b>Control method</b>	ON/OFF luminaire	<b>Insulation class</b>	I
<b>Number of luminaires per circuit breaker B10A</b>	9	<b>Number of luminaires per circuit breaker B16A</b>	15
<b>Number of luminaires per circuit breaker C10A</b>	15	<b>Number of luminaires per circuit breaker C16A</b>	25
<b>Momentum current</b>	22 A		

### Mechanical data

<b>IP classification</b>	IP66	<b>IK classification</b>	IK10
<b>Warranty</b>	5 years	<b>Operating temperature</b>	-20°C ≤ t ≤ 60°C

### Certification

<b>ATEX</b>	FTZU 22 ATEX 0107X	<b>IECEX</b>	IECEX FTZU24.0004X
-------------	--------------------	--------------	--------------------

### Explosion protection ATEX

<b>Ex ZONE</b>	2/21	<b>ATEX zone – gas</b>	Ex II 3G Ex nR IIC T6...T5 Gc
<b>ATEX zone – dust</b>	Ex II 2D Ex tb op is IIIC T85°C Db		

### Explosion protection IECEX

<b>IECEX zone – dust</b>	Ex tb op is IIIC T85°C Db	<b>IECEX zone – gas</b>	Ex nR IIC T5 Gc
--------------------------	---------------------------	-------------------------	-----------------

### Materials

<b>Material of the body</b>	painting aluminium	<b>Body colour</b>	RAL 7043 grey
-----------------------------	--------------------	--------------------	---------------

**Cover material** GC – clear safety glass

---

**Packaging**

**Barcode (EAN)** 8592040319577 **Number of pieces per pallet** 32 pcs

**Gross weight** 10,32 kg

---

## Accessories to order

### Certified BERGER 0,3 m zinc cable sling – Y (set of 2)

Item number: **57848**  
 Product type: **051235**

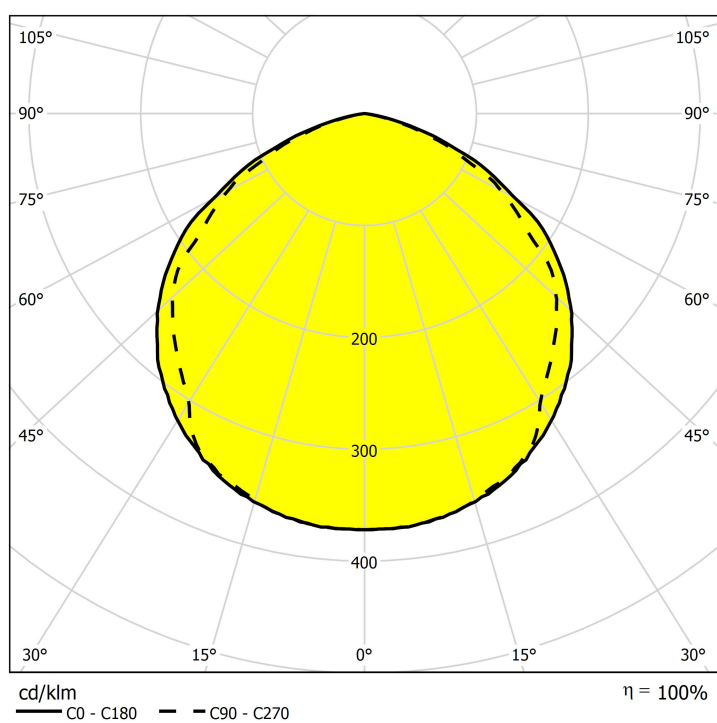


### BERGER adjustable bracket

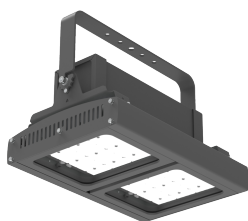
Item number: **62192**  
 Product type: **051229**



## Polar diagram



## Other photos



© 2026 All rights reserved. VYRTYCH a.s. does not warrant the accuracy or completeness of the information provided herein and is not responsible for any events that may occur as a result of unqualified reliance on this information. The information contained herein does not constitute a commercial offer and does not form part of a quotation or contract, unless confirmed by VYRTYCH a.s..