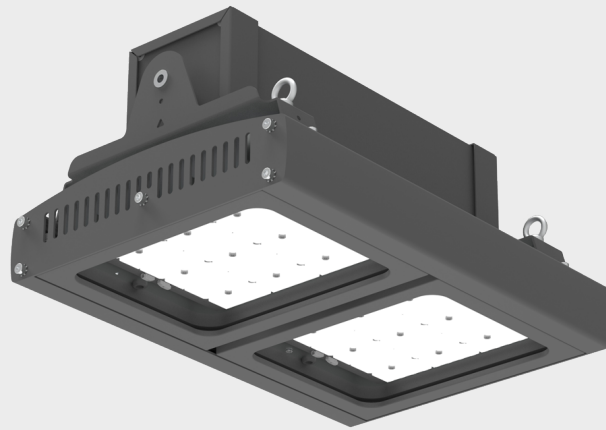


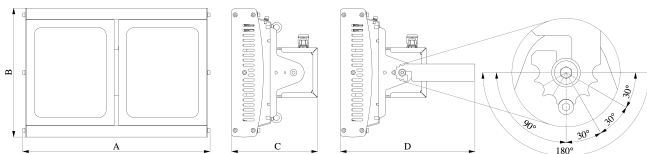
BERGER-N-LED-2,21-T60-WO-26200-4K-3M, IP66

Product type: 080820

Item number: 46067

IP66
 **2/21**


HIGH-BAY type luminaire designed for explosion hazardous areas for ATEX Zones 2/21, 22. Robust aluminium body (RAL 7043) with clear safety glass. The luminaire's optical system offers a large variation of light curves for different applications. Equipped with high-quality electronic components with an efficiency of up to 179 lm/W and a high LED lifetime of up to 100,000 h even at high temperatures. The modular system of the luminaire allows the selection of light output according to the needs of the project. It is characterized by high splash and dust resistance IP66. Suitable for ambient temperatures from -40 °C to +70 °C (depending on luminaire variant). Excellent heat dissipation due to cooling of each light module. Designed for hanging or clip-on (positionable) mounting. The adjustable boom allows a wide variation in the use of the luminaire.


Dimensions
A x B x C 620 mm x 285 mm x 190 mm

Net weight 7.3 kg

Specifications

Light technical data

Lighting fixture luminous flux	22899 lm +/-10%	Luminaire efficiency	159 lm/W
CRI	≥80	MacAdam	3
Beam angle	WO – without optical system	Colour temperature	4000 K

Electrical data

Power input	144 W	Rated voltage AC	220-240 V
Frequency	50/60 Hz	Rated voltage DC	220-240 V
Control method	ON/OFF luminaire	Insulation class	I
Number of luminaires per circuit breaker B10A	6	Number of luminaires per circuit breaker B16A	10
Number of luminaires per circuit breaker C10A	10	Number of luminaires per circuit breaker C16A	17
Momentum current	15 A		

Mechanical data

IP classification	IP66	IK classification	IK10
Warranty	5 years	Operating temperature	-20°C ≤ t ≤ 60°C

Certification

ATEX	FTZU 22 ATEX 0107X	IECEX	IECEX FTZU24.0004X
-------------	--------------------	--------------	--------------------

Explosion protection ATEX

Ex ZONE	2/21	ATEX zone – gas	Ex II 3G Ex nR IIC T6...T5 Gc
ATEX zone – dust	Ex II 2D Ex tb op is IIIC T85°C Db		

Explosion protection IECEX

IECEX zone – dust	Ex tb op is IIIC T85°C Db	IECEX zone – gas	Ex nR IIC T5 Gc
--------------------------	---------------------------	-------------------------	-----------------

Materials

Material of the body	painted aluminium	Body colour	RAL 7043 grey
-----------------------------	-------------------	--------------------	---------------

Cover material GC – clear safety glass

Packaging

Barcode (EAN) 8592040319638 **Number of pieces per pallet** 20 pcs

Gross weight 7,92 kg

Accessories to order

Certified BERGER 0,3 m zinc cable sling – Y (set of 2)

Item number: **57848**
 Product type: **051235**

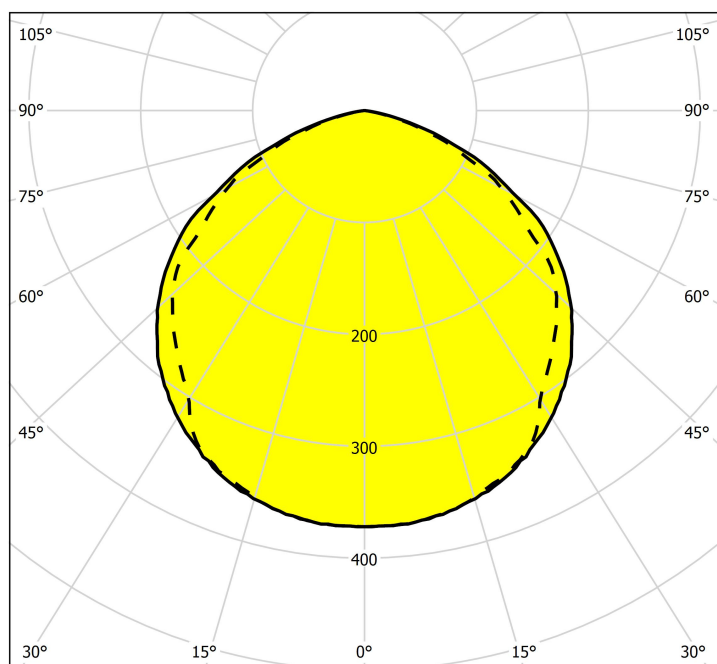


BERGER adjustable bracket

Item number: **62192**
 Product type: **051229**



Polar diagram



cd/klm
 — C0 - C180 - - C90 - C270

$\eta = 100\%$

Other photos



© 2026 All rights reserved. VYRTYCH a.s. does not warrant the accuracy or completeness of the information provided herein and is not responsible for any events that may occur as a result of unqualified reliance on this information. The information contained herein does not constitute a commercial offer and does not form part of a quotation or contract, unless confirmed by VYRTYCH a.s..