

Atlantic LED LT CG-S

Escape sign luminaire



Atlantic LED LT CG-S

- LED escape sign luminaire with high protection class (IP65) for indoor and outdoor use
- Specialized electronics with components for reliable operation down to -40 °C
- Luminaire with limited surface temperatures for use in operating areas with fire hazard
- Acc. HACCP suitable for use in food processing industry
- Robust construction from aluminium diecast and high impact resistant cover made of polycarbonate
- Excellent perceptibility on account of high luminance of the white contrasting colour > 500 cd/m² in keeping with standard DIN 4844-1 and high uniformity L_{min}/L_{max} > 0.8
- Minimum service requirement due to high service life of the LEDs (up to 50,000 hours) Service life is increased at -20 °C ambient temperature
- Shortened inspection effort due to CEWA GUARD technology
- Automatic function monitoring of up to 20 luminaires per circuit
- Reduced installation cost by STAR technology
- Freely programmable mixed operation of the switching modes per luminaire in one circuit

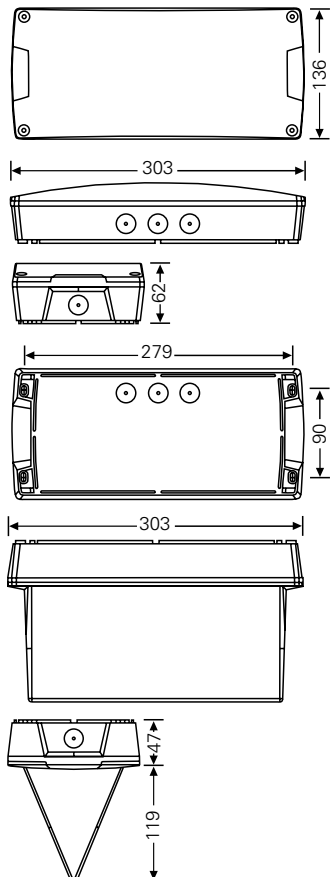
Atlantic LED S LT CG-S



Atlantic LED D LT CG-S



Dimensions in mm



Viewing distance	24 m
Luminous flux Φ_E/Φ_N at the end of rated operating time	100 %
Housing material	Enclosure: Aluminium diecast Cover: Polycarbonate (850 °C glow wire resistant)
Housing colour	Grey
Weight	Atlantic LED S LT 1.4 kg Atlantic LED D LT 1.6 kg
Type of mounting	Wall- and ceiling mounting
Connection terminals	3 x 2.5 mm ²
Connection voltage	220 - 240 V, 50/60 Hz 176 - 275 V DC
Current consumption - battery operation (220 V)	20.5 mA
Power consumption mains operation (apparent power / effective power)	6.1 VA / 4.65 W
Power Factor	0.77
Permissible ambient temperature	-40 °C to +40 °C
Light source	2 x 1.5 W High Power LED

Ordering details

Type	Scope of supply	Order No.
Atlantic LED S LT CG-S	Escape sign luminaire for low temperature (up to -40 °C) applications, single sided, incl. LED supply and CG-S technology (20 addresses), without pictogram, incl. M20 cable gland	40071354864
Atlantic LED D LT CG-S	Escape sign luminaire for low temperature (up to -40 °C) applications, double sided, incl. LED supply and CG-S technology (20 addresses), without pictogram, incl. M20 cable gland	40071354865

Accessories

Type	Scope of supply	Order No.
Pictograms for Atlantic S		
PR acc. ISO 7010	pictogram	155-000-011
PL acc. ISO 7010	pictogram	155-000-012
PU acc. ISO 7010	pictogram	155-000-013
PO acc. ISO 7010	pictogram	40071350277
Pictograms for Atlantic D (2 x required)		
PR acc. ISO 7010	pictogram	155-000-211
PL acc. ISO 7010	pictogram	155-000-212
PU acc. ISO 7010	pictogram	155-000-213
PO acc. ISO 7010	pictogram	40071350287
BL	Transparent cover	155-000-209