



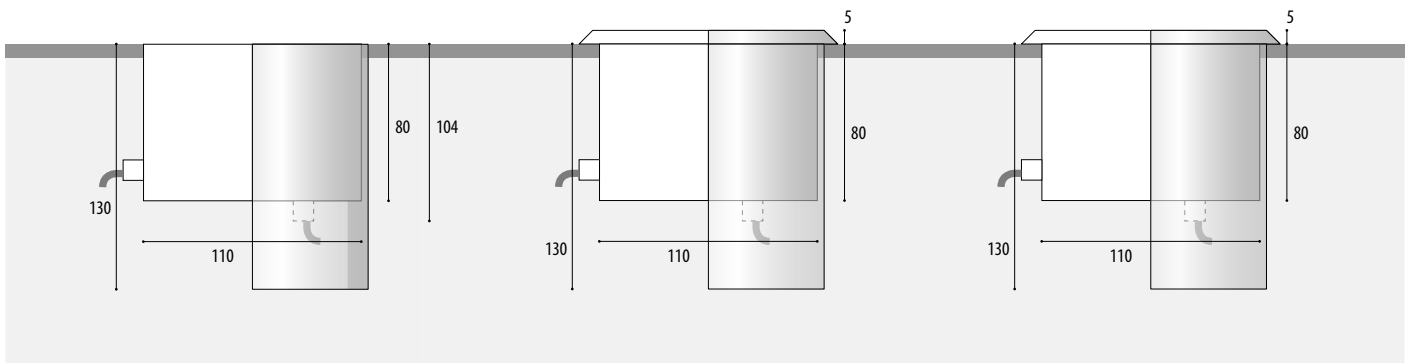
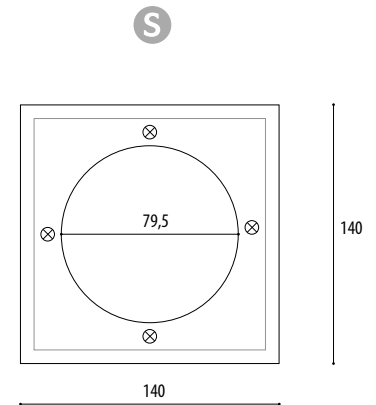
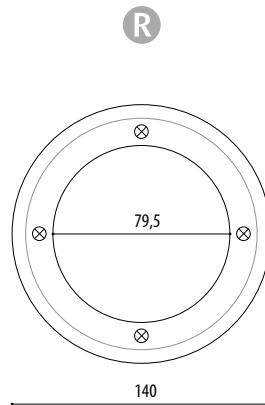
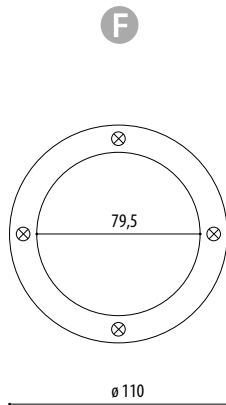
RECESSED SPOTLIGHT 4.0061KARDAN

EXTERIOR

IP67



Installation sleeve



F	R	S	Lamps	Lumen	Light colour	Wattage	Current	Socket	Temperature	Radiation angle	Cable, installs	[V]
POW-LED												
4.0061.14.01	4.0061.24.01	4.0061.44.01	3 POW-LED	495 lm	6000K cold white	total 5 W	CC 350 mA	<40°C	30° medium	UW, 2x1,5 qmm	V33	
4.0061.14.02	4.0061.24.02	4.0061.44.02	3 POW-LED	405 lm	3000K warm white	total 5 W	CC 350 mA	<40°C	30° medium	UW, 2x1,5 qmm		
4.0061.14.03	4.0061.24.03	4.0061.44.03	3 POW-LED	465 lm	4500K neutral white	total 5 W	CC 350 mA	<40°C	30° medium	UW, 2x1,5 qmm		
4.0061.14.04	4.0061.24.04	4.0061.44.04	3 POW-LED		yellow	total 5 W	CC 350 mA	<40°C	30° medium	UW, 2x1,5 qmm		
4.0061.14.05	4.0061.24.05	4.0061.44.05	3 POW-LED		red	total 5 W	CC 350 mA	<40°C	30° medium	UW, 2x1,5 qmm		
4.0061.14.06	4.0061.24.06	4.0061.44.06	3 POW-LED		blue	total 5 W	CC 350 mA	<40°C	30° medium	UW, 2x1,5 qmm		
4.0061.14.07	4.0061.24.07	4.0061.44.07	3 POW-LED		green	total 5 W	CC 350 mA	<40°C	30° medium	UW, 2x1,5 qmm		
4.0061.14.09	4.0061.24.09	4.0061.44.09	3 POW-LED		RGB	all on 5 W	CC 350 mA	<40°C	30° medium	Si, 3x1,5 qmm		
HALOGEN												
4.0061.14.20	4.0061.24.20	4.0061.44.20	QR-CBC51	210	3000K	20W	12V-AC	GU5,3	80°C	36°	Si, 2x1,5 qmm	C22
4.0061.14.35	4.0061.24.35	4.0061.44.35	QR-CBC51	430	3000K	35W	12V-AC	GU5,3	90°C	36°	Si, 2x1,5 qmm	C33
4.0061.14.50	4.0061.24.50	4.0061.44.50	QR-CBC51	680	3000K	50W	12V-AC	GU5,3	105°C	36°	Si, 2x2,5 qmm	C43
4.0061.14.51	4.0061.24.51	4.0061.44.51	QPAR16			35W	230V	GU10	90°C	35°	Si, 3x1,5 qmm	G11



4.0061 | RECESSED SPOTLIGHT

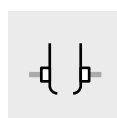
FOR LIGHTING AND ACCENTUATING EXTERIOR, FAÇADES, BUILDINGS, TREES AND PUBLIC SPACES.

IP67
ALU
STAINLESS STEEL V4A
1.4571
316Ti
POW-LED INCL.
3.000 K
4.500 K
6.000 K
COLOR
RGB
CONSTANT CURRENT
KONSTANT STROM
1.5t
↑
↺
↻
CE
III

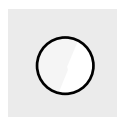


- Protection system IP67
- made of aluminium
- cover made of stainless steel 316Ti
- Flush-mounted, round and square cover, height 5 mm
- with multi-axial cardan technology
- 360° pivotable et +/-15° adjustable
- ...
- POW-LED cold white, warm white, neutral white
- POW-LED colored
- POW-LED RGB
- operating mode: constant current
- low voltage halogen QR-CB51 ES 12 V-AC
- High voltage QPAR16
- Light output through multi-cardan pivotable light source unit can be flexibly adjusted
- ...
- Temperature-resistant silicon seal
- Toughened safety glass (ESG) – withstands loads of up to 1500 kg
- Cable gland PG11, nickel-plated brass
- Supplied with light source and cable (3 m) already connected

+ ADDITIONAL PARTS



double cable gland
PG11, brass
4.0004.00.11



glass disc, frosted
for softer light distribution (light loss approx. -15%)
4.0060.01.00



Installation housing out of aluminium
for flush cover, height 130 mm
4.0061.04.95



Installation housing out of aluminium
for circular and squared cover, height 130 mm
4.0061.14.95

Power supplies Technical details see from page 234.

5.0635.65.03		5.0635.65.10		5.0635.65.20
5.0635.65.03		5.0635.65.10		5.0635.65.20
5.0635.65.03	Constant Current power supply, max 1 spotlights	5.0635.65.10	Constant Current power supply, max 2 spotlights	5.0635.65.20
5.0635.65.03		5.0635.65.10		5.0635.65.20
5.0635.65.03		5.0635.65.10		5.0635.65.20
5.0635.65.03		5.0635.65.10		5.0635.65.20
5.0635.09.16	RGB-Controller, max 4 spotlights			

5.0098.00.00	Transformer, max 2	5.0100.00.00	Transformer, max 4 spotlights
5.0098.00.00	Transformer, max 1 spotlights	5.0100.00.00	Transformer, max 2 spotlights
5.0098.00.00	Transformer, max 1 spotlights	5.0100.00.00	Transformer, max 2 spotlights

Integrated

! NOTE



Updated version available: 4.0071 – Page 170



POW-LED, series-connected



In case of use of an housing, cable gland must be mounted on the ground. (Please state!)

⚙️ OPTIONS

Possible beam angle POW-LED



Possible beam angle HALOGENE



Aluminium installation housing available



Special brass covers



CUSTOM MADE

Coloured QR-CB51 light sources



Version without cardan



VERSION