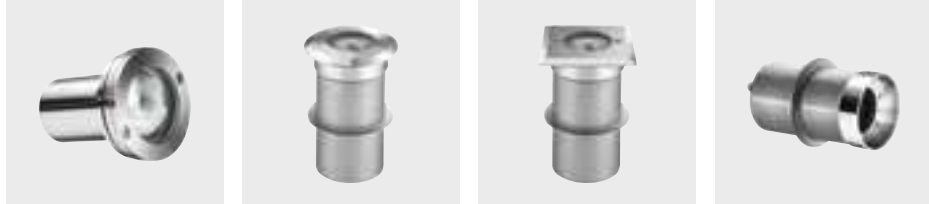




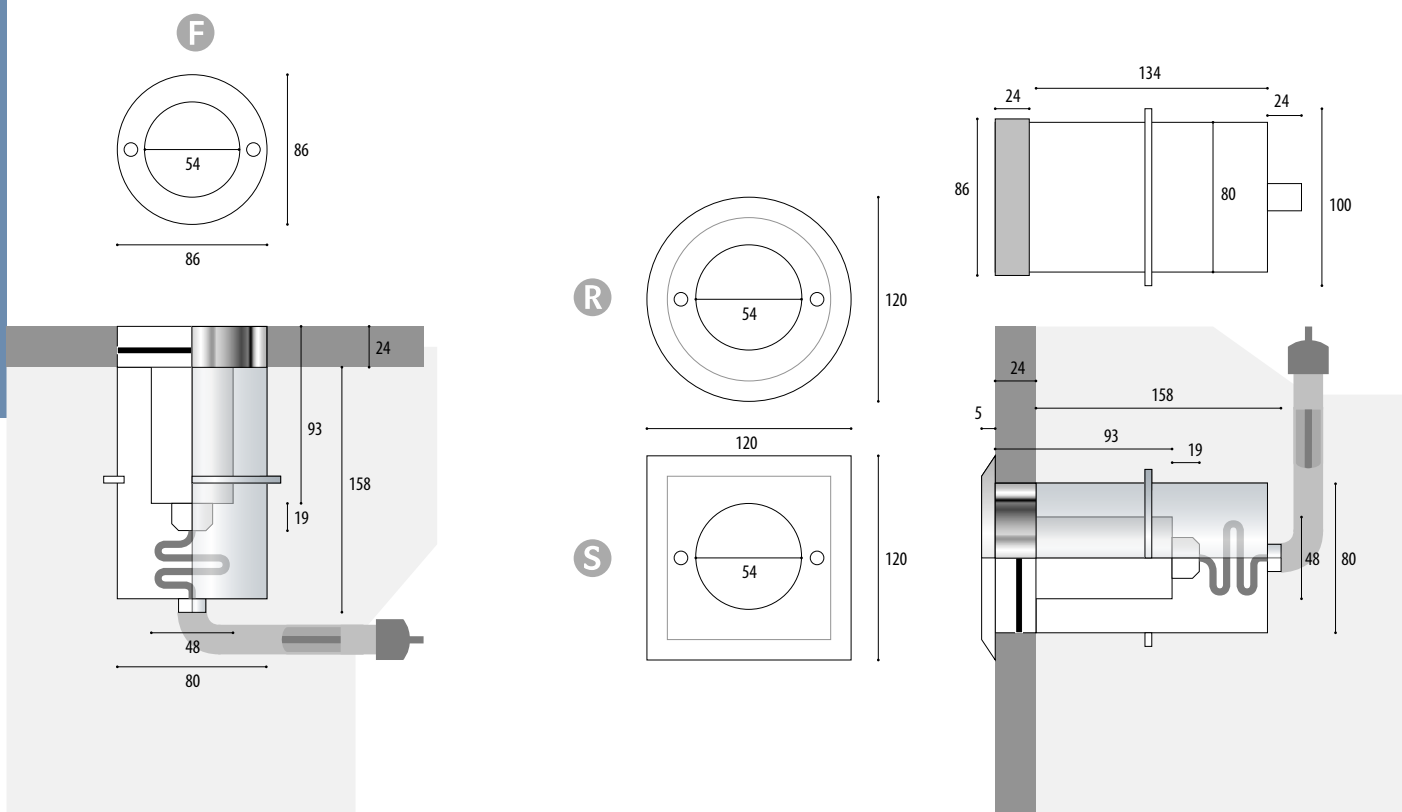
RECESSED SPOTLIGHT 4.0093

UNDERWATER

IP68



Installation housing



F	R	S	Article number	Article number	Article number	Lamps	Lumen	Light colour	Wattage	Current	Socket	Radation angle	Cable, installs	[V]
---	---	---	----------------	----------------	----------------	-------	-------	--------------	---------	---------	--------	----------------	-----------------	-----

VERSIONS: ONLY UNDERWATER OPERATION

POW-LED

4.0093.10.11	4.0093.20.11	4.0093.40.11	3 POW-LED	915 lm	6000K cold white	total 9 W	CC 700 mA	30° medium	UW, 2x1,5 qmm	W33
4.0093.10.12	4.0093.20.12	4.0093.40.12	3 POW-LED	750 lm	3000K warm white	total 9 W	CC 700 mA	30° medium	UW, 2x1,5 qmm	W33
4.0093.10.13	4.0093.20.13	4.0093.40.13	3 POW-LED	855 lm	4500K neutral white	total 9 W	CC 700 mA	30° medium	UW, 2x1,5 qmm	
4.0093.10.39	4.0093.20.39	4.0093.40.39	3 POW-LED		RGB	all on 9 W	CC 700 mA	30° medium	Si, 6x0,5 qmm	

HALOGEN

4.0093.10.35	4.0093.20.35	4.0093.40.35	QR-CBC51 (IRC)	620	3000K	35W	12V-AC	GU 5,3	36°	Si, 2x1,5 qmm	C73
--------------	--------------	--------------	----------------	-----	-------	-----	--------	--------	-----	---------------	-----

VERSIONS: UNDER- AND OVERWATER OPERATION (ACCORDING TO PRIOR AGREEMENT)

POW-LED

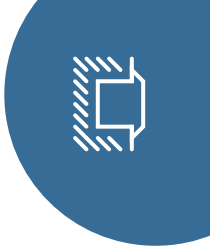
4.0093.10.14	4.0093.20.14	4.0093.40.14	3 POW-LED		yellow	total 5 W	CC 350 mA	30° medium	UW, 2x1,5 qmm	
4.0093.10.15	4.0093.20.15	4.0093.40.15	3 POW-LED		red	total 5 W	CC 350 mA	30° medium	UW, 2x1,5 qmm	
4.0093.10.16	4.0093.20.16	4.0093.40.16	3 POW-LED		blue	total 5 W	CC 350 mA	30° medium	UW, 2x1,5 qmm	
4.0093.10.17	4.0093.20.17	4.0093.40.17	3 POW-LED		green	total 5 W	CC 350 mA	30° medium	UW, 2x1,5 qmm	
4.0093.10.19	4.0093.20.19	4.0093.40.19	3 POW-LED		RGB	all on 5 W	CC 350 mA	30° medium	Si, 6x0,5 qmm	

HALOGEN

4.0093.10.20	4.0093.20.20	4.0093.40.20	QR-CBC51 (IRC)	300	3000K	20W	12V-AC	GU5,3	36°	Si, 2x1,5 qmm	C63
--------------	--------------	--------------	----------------	-----	-------	-----	--------	-------	-----	---------------	-----

CIRCULAR COVER

4.0094.00.00	Installation housing out of 316L stainless steel with 1.5m cable protection tube and terminating cable gland (M20 plastic)										
--------------	--	--	--	--	--	--	--	--	--	--	--



4.0093 | RECESSED SPOTLIGHT

FOR ILLUMINATING AND ACCENTUATING SMALLER SWIMMING POOLS, JACUZZIS AND WATER BODIES.

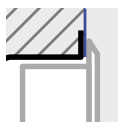
○→○ CENTUM® Updated version available: 4.0102 – Page 30

IP68	STAINLESS STEEL V4A 1.4571 316Ti	POW-LED INCL.	3.000 K 4.500 K 6.000 K COLOR	CONSTANT CURRENT KONSTANT STROM	CABLE INCL.					CE	
------	--	---------------	--	------------------------------------	-------------	--	--	--	--	----	--



- Protection class IP68 – up to 10 m water depth
- Entirely made of stainless steel 316Ti 1.4571
- For flush-mounted installation or with a round or square cover ...
- POW-LED cold white, warm white, neutral white
- POW-LED cored
- POW-LED RGB
- operating mode: constant current
- low voltage halogen QR-CB51 ES 12 V-AC
- ...
- For installation in concrete walls and floors in conjunction with an installation housing (4.0094, not included)
- Cable gland PG11, marine grade 316L stainless steel
- Supplied with light source and cable (3 m) already connected

+ ADDITIONAL PARTS



gluing flange
ø 150 mm
4.0094.55.55



Anti-skid coating
4.0093.02.00

Power supplies Technical details see from page 234.

5.0670.65.10	Constant Current power supply, max 1 spotlights	5.0670.65.20	Constant Current power supply, max 2 spotlights
5.0670.65.10		5.0670.65.20	
5.0670.65.10		5.0670.65.20	
5.0670.09.18	RGB-Controller, max 6 spotlights		

5.0098.00.00	Transformer, max 1 spotlights
---------------------	-------------------------------

5.0635.65.03	Constant Current power supply, max 1 spotlights	5.0635.65.10	Constant Current power supply, max 2 spotlights
5.0635.65.03		5.0635.65.10	
5.0635.65.03		5.0635.65.10	
5.0635.65.03		5.0635.65.10	
5.0635.09.16	RGB-Controller, max 4 spotlights	5.0635.09.24	RGB-Controller, max 6 spotlights

5.0098.00.00	Transformer, max 2 spotlights
---------------------	-------------------------------

! NOTE

An installation housing is required for a new installation. Please order separately.

POW-LED, series-connected

🔄 OPTIONS

Possible beam angle POW-LED

10°	30°	45°	90°	15x40°
-----	-----	-----	-----	--------

Possible beam angle HALOGENE

10°	24°	36°	60°
-----	-----	-----	-----