



DATA SHEET	52107102
SKINDICHT® SHVE-M ATEX	Valid from: 25.01.2016

The SKINDICHT® SHVE-M ATEX is a professional cable gland for screened cables, made of nickel plated brass and is suitable for fixed installation in hazardous areas.

The polychloroprene sealing cone prevents the entry of dust, moisture and oil. For painted, anodised or powdered-coated housings, you will require our EMC counter nut SKINDICHT® SHVE-M ATEX for best Contact. The gland is also suitable for use in the machine- and apparatus construction, in the measurement and control technology, the chemistry and plant construction and in medicine-technical devices.



Screw connection materials:

Body	Brass, nickel plated
Cap nut	Brass, nickel plated
Chuck cone	Brass, nickel plated
Density cone	CR
O-Ring	NBR
Grounding sleeve	Brass

Technical characteristics:

Connecting thread	M20x1,5 acc. to EN 60423
Protection class	IP66, IP68 (5 bar, 30 min), acc. to EN 60529
Temperature range	-20 °C up to +80 °C

Approbation:



EG type examination certificate: IBExU 08 ATEX 1161 x

Categories:

Device group II
Device category 2G und 1D

Norm-Reference:

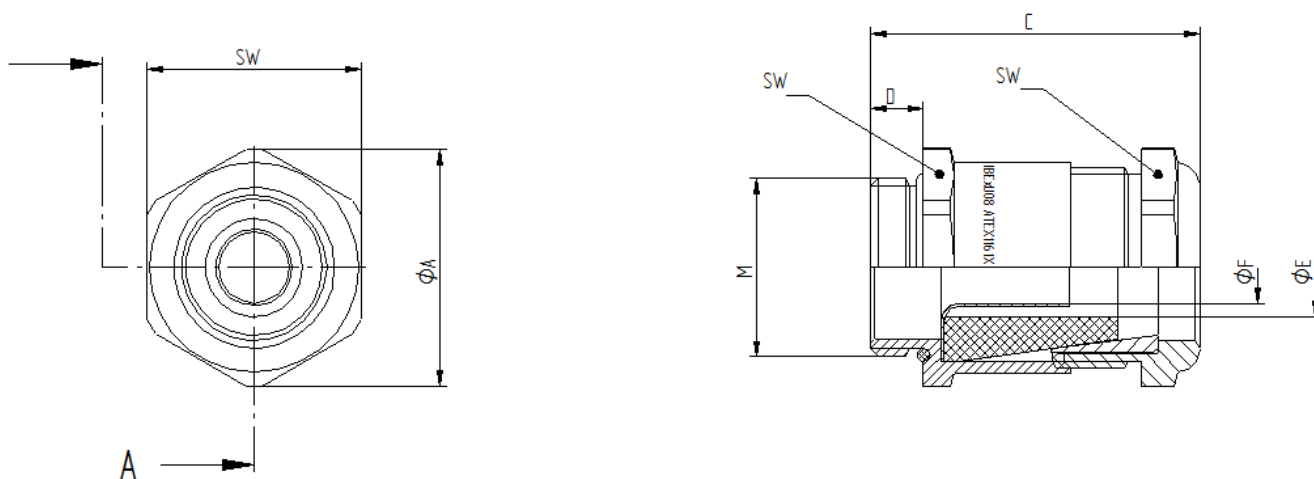


For more information please see our current catalogue.

Elaborated by: PDP: M. Wegerer	Document: DB52107102EN	Page 1 of 2
-----------------------------------	------------------------	-------------

DATA SHEET	52107102
SKINDICHT® SHVE-M ATEX	Valid from: 25.01.2016

SKINTOP® SHVE-M ATEX



M	PG	Φ F	SW	A	C	D	Φ E	Artikel-Nr.
20x1,5	13,5	5	22/22	24,4	32,0	6	9	52107102