



## EFFICE for stairways

### Features

- Input voltage: 220–240 V AC, 50/60 Hz
- Input voltage range: 198–264 V AC
- Electrical protection class 2
- IP: 55
- IK: 10 / 20 joules
- IRC 80
- Incandescent wire test 850 °C / 30 s
- Rated ambient operating temperature: 25 °C to NF EN 60598-1 standard
- VK25 ceiling-mounted
- SDCM (Standard Deviation Colour Matching): 5
- LED module life > 50,000 hr (L80B50)
- Photobiological hazard: RG0

### Applications

- Architectural luminaire for indoor environments subject to moderate vandalism
- Installation positions: refer to installation instructions

### Materials

- Injection-moulded polycarbonate base and skirt
- Clear polycarbonate diffuser + optics
- Internal polycarbonate reflector
- Sealing gasket
- RoHS: the products contain no prohibited substances as defined in the European Directive 2002/95/CE and amendments

### Colours / Finish

- Standard ring colour: through-coloured white RAL9003 or traffic grey RAL7043

### Wiring

- 2 × 20.5 mm Ø cable entry for cable gland
- Knockout for 1 side cable entry
- Supply terminal block: automatic, dual-entry, for 1.5 mm<sup>2</sup> conductors

### Fixings

- Diffuser closed using 4 × M5 stainless fixing screws with 2-point tamper-proof heads

### Facilities available

- Stainless crosspoint screws: add the suffix **9702** to the product code – example: 2010 0300 **9702**

### Tools *(to be ordered separately)*

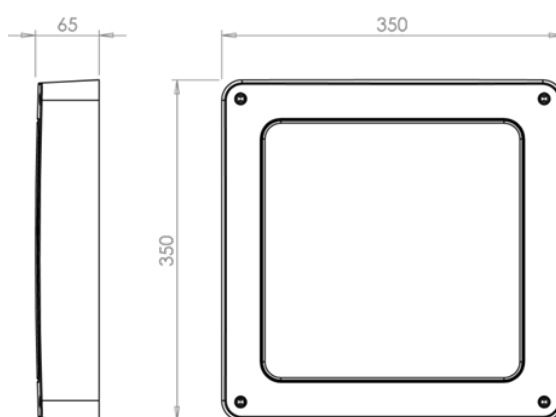
- M5 bit for 2-point tamper-proof screws – code: **9800 0003**
- Bit-holder screwdriver – code: **98000 0005**
- Remote control (radio-control version) – code: **9800 0010**

### Approvals

Certificates available:

- CE certificate (as per EN60598-1 / 2-1)
- Incandescent Wire Test certificate (depending on product)
- Eligible for the BAR-EQ-110 for the detector versions
- Eligible for the BAR-EQ-127

### Dimensions



*Technical and dimensional data are given for information only and may be modified at any time without notice.  
Please enquire before ordering.*

<b>EFFICE for stairways (ceiling mounted only)</b>							
Designation	CCT (K)	Power (W)	Power in stand-by(W)	Luminaire output (lm)	Luminaire efficacy (lm/W)	White	Grey
Effice for stairways	3000	23	-	2057	89,4	20120300	20121300
Effice for stairways	4000	23	-	2338	101,7	20120400	20121400
Effice for stairways "plus"	3000	27	-	3200	118,5	20130300	20131300
Effice for stairways "plus"	4000	27	-	3300	122,2	20130400	20131400

<b>EFFICE for stairways (ceiling mounted only) DALI dimmable</b>							
Designation	CCT (K)	Power (W)	Power in stand-by(W)	Luminaire output (lm)	Luminaire efficacy (lm/W)	White	Grey
Effice for stairways	3000	19	<0,5	1768	93,1	20120320	20121320
Effice for stairways	4000	19	<0,5	2048	107,8	20120420	20121420
Effice for stairways "plus"	3000	28	<0,5	3200	114,3	20130320	20131320
Effice for stairways "plus"	4000	28	<0,5	3300	117,9	20130420	20131420

<b>EFFICE for stairways (ceiling mounted only) slave version + extinction or stand-by warning - technical specifications and conditions of use for detection (NOT0435): <a href="http://www.securlite.com">www.securlite.com</a> (NOT0435)</b>							
Designation	CCT (K)	Power (W)	Power in stand-by(W)	Luminaire output (lm)	Luminaire efficacy (lm/W)	White	Grey
Effice for stairways	3000	24	<0,5	2057	85,7	20120303	20121303
Effice for stairways	4000	24	<0,5	2338	97,4	20120403	20121403
Effice for stairways "plus"	3000	28	<0,5	3200	114,3	20130303	20131303
Effice for stairways "plus"	4000	28	<0,5	3300	117,9	20130403	20131403

<b>EFFICE for stairways (ceiling mounted only) + with detection - technical specifications and conditions of use for detection (NOT0400): <a href="http://www.securlite.com">www.securlite.com</a> (NOT0400)</b>							
Designation	CCT (K)	Power (W)	Power in stand-by(W)	Luminaire output (lm)	Luminaire efficacy (lm/W)	White	Grey
Effice for stairways	3000	24	<0,5	2057	85,7	20120311	20121311
Effice for stairways	4000	24	<0,5	2338	97,4	20120411	20121411
Effice for stairways "plus"	3000	28	<0,5	3200	114,3	20130311	20131311
Effice for stairways "plus"	4000	28	<0,5	3300	117,9	20130411	20131411

<b>EFFICE for stairways (ceiling mounted only) + with Pro detection + Extinction or standby warning - technical specifications and conditions of use for detection (NOT0425): <a href="http://www.securlite.com">www.securlite.com</a> (NOT0425)</b>							
Designation	CCT (K)	Power (W)	Power in stand-by(W)	Luminaire output (lm)	Luminaire efficacy (lm/W)	White	Grey
Effice for stairways	3000	24	<0,5	2057	85,7	20120313	20121313
Effice for stairways	4000	24	<0,5	2338	97,4	20120413	20121413
Effice for stairways "plus"	3000	28	<0,5	3200	114,3	20130313	20131313
Effice for stairways "plus"	4000	28	<0,5	3300	117,9	20130413	20131413

<b>EFFICE for stairways (ceiling mounted only) + with Pro detection + radio-control - technical specifications and conditions of use for detection (NOT0420): <a href="http://www.securlite.com">www.securlite.com</a> (NOT0420)</b>							
Designation	CCT (K)	Power (W)	Power in stand-by(W)	Luminaire output (lm)	Luminaire efficacy (lm/W)	White	Grey
Effice for stairways	3000	24	0,5	2057	85,7	20120316	20121316
Effice for stairways	4000	24	0,5	2338	97,4	20120416	20121416
Effice for stairways "plus"	3000	28	<0,5	3200	114,3	20130316	20131316
Effice for stairways "plus"	4000	28	<0,5	3300	117,9	20130416	20131416

<b>EFFICE for stairways (ceiling mounted only) + with Pro detection + extinction or standby warning + radio-control - technical specifications and conditions of use for detection (NOT0430): <a href="http://www.securlite.com">www.securlite.com</a> (NOT0430)</b>							
Designation	CCT (K)	Power (W)	Power in stand-by(W)	Luminaire output (lm)	Luminaire efficacy (lm/W)	White	Grey
Effice for stairways	3000	24	0,5	2057	85,7	20120317	20121317
Effice for stairways	4000	24	0,5	2338	97,4	20120417	20121417
Effice for stairways "plus"	3000	28	<0,5	3200	114,3	20130317	20131317
Effice for stairways "plus"	4000	28	<0,5	3300	117,9	20130417	20131417

<b>EFFICE for stairways (ceiling mounted only) slave version + extinction or stand-by warning + radio-control - technical specifications and conditions of use for detection (NOT0440): <a href="http://www.securlite.com">www.securlite.com</a> (NOT0440)</b>							
Designation	CCT (K)	Power (W)	Power in stand-by(W)	Luminaire output (lm)	Luminaire efficacy (lm/W)	White	Grey
Effice for stairways	3000	24	<0,5	2057	85,7	20120307	20121307
Effice for stairways	4000	24	<0,5	2338	97,4	20120407	20121407
Effice for stairways "plus"	3000	28	<0,5	3200	114,3	20130307	20131307
Effice for stairways "plus"	4000	28	<0,5	3300	117,9	20130407	20131407