



VAUBAN A / E

Features

- Input voltage: 220–240 V AC, 50/60 Hz
- Input voltage range: 198–264 V AC
- Electrical protection class 1
- IP: 65
- IK: 10++ / 80 joules
- Incandescent wire test 850 °C / 30 s
- VK45 surface mounted, VK46 ceiling mounted, VK46 flush mounted
- IRC80
- SDCM (Standard Deviation Colour Matching): 3
- LED module life: L90B50 50,000 hr
- Photobiological hazard: RG0

Applications

- Technical luminaire in EZ steel version for indoor or outdoor environment
- Stainless version: 316L brushed stainless for severe corrosive environments (seaside), indoor and outdoor
- Stainless version: 314L painted stainless for indoor or outdoor environment
- Installation positions: refer to installation instructions

Materials

- Base: 1 mm thick zinc-plated steel, frame 2 mm thick ZP steel
- Stainless version: 316L brushed stainless body and frame
- Stainless version: 314L painted stainless body and frame
- Diffuser: opal polycarbonate (LED version)
- Diffuser: thermoformed clear pebble polycarbonate (fluorescent version)
- RoHS: the products contain no prohibited substances as defined in the European Directive 2011/65/UE and amendments

Colours / Finish

- Standard colour: graphite grey RAL7016, abrasion-resistant polyester paint finish, withstands polluting chemical elements
- 316L brushed stainless
- 314L painted stainless: graphite grey RAL7016, abrasion-resistant polyester paint finish, withstands polluting chemical elements

Wiring

- Supply terminal block: automatic, dual-entry, for 3 × 1.5 mm² conductors
- 1 × 20.5 mm Ø cable entry (rear side)

Fixings

- Diffuser: retained by M6 stainless 2-point tamper-proof screws with sealing washers

Facilities available

- Opal PC diffuser: add the suffix **9406** to the product code – example: 5110 1400 **9406**
- Flat Duroflam® diffuser (LED): add the suffix **9413** to the product code – example: 5110 1400 **9413**
- Flat opal PC diffuser(LED): add the suffix **9415** to the product code – example: 5110 1400 **9415**
- Anti-graffiti protection: add the suffix **9601** to the product code – example: 5110 1400 **9601**
- Stainless crosspoint screws (VK44): add the suffix **9702** to the product code – example: 5110 1400 **9702**
- 304L Painted stainless version for outdoor installation: add the suffix **7000** to the product code – example: 5110 1400 **7000**

Tools (to be ordered separately)

- M6 bit for 2-point tamper-proof screws – code: **9800 0004**
- Bit-holder screwdriver – code: **98000 0005**

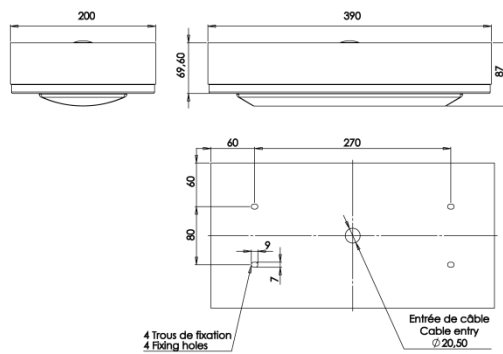
Approvals

Certificates available:

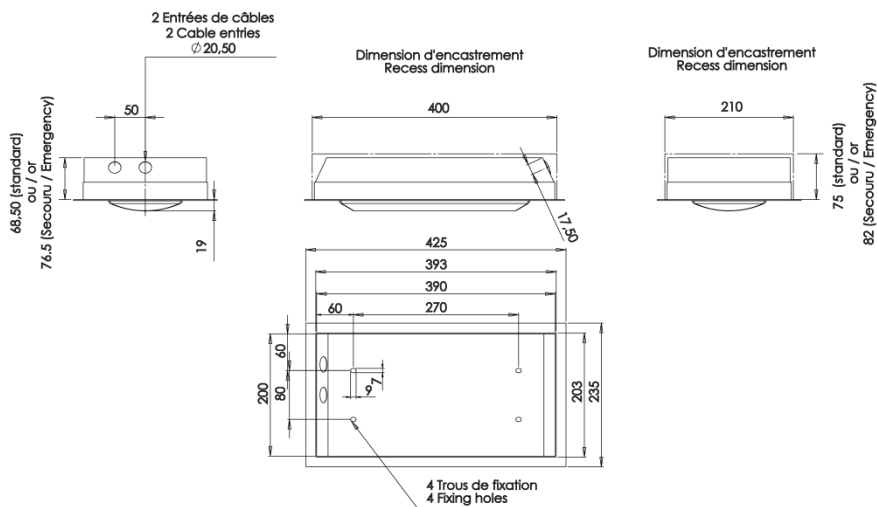
- CE certificate (as per EN60598-1 / 2-1)
- Incandescent Wire Test certificate (depending on product)

Dimensions

VAUBAN A :



VAUBAN E :



Technical and dimensional data are given for information only and may be modified at any time without notice. Please enquire before ordering.

VAUBAN A FLUO										
Designation	Base	CCT (K)	Power (W)	Luminaire power (W)	Luminaire efficiency (%)	Source output (lm)	Source luminous efficiency (lm/W)	Frame lenght (mm)	Code EZ steel	
1x24W TC-F	2G10	4000	24	27	61	1700	71	390	51101400	
1x36W TC-F	2G10	4000	36	40	61	2800	78	390	51111400	
1x11W TC-SE	2G7	4000	11	15	61	900	82	390	51121400	
2x11W TC-SE	2G7	4000	11	28	50	900	82	390	51131400	
1x18W TC-L	2G11	4000	18	21	61	1200	67	390	51141400	
VAUBAN A FLUO DALI dimmable + switch dimming + standby warning										
Designation	Base	CCT (K)	Power (W)	Luminaire power (W)	Luminaire efficiency (%)	Source output (lm)	Source luminous efficiency (lm/W)	Frame lenght (mm)	Code EZ steel	
1x24W TC-F	2G10	4000	24	27	61	1700	71	390	51101421	
1x36W TC-F	2G10	4000	36	40	61	2800	78	390	51111421	
1x11W TC-SE	2G7	4000	11	15	61	900	82	390	51121421	
2x11W TC-SE	2G7	4000	11	28	50	900	82	390	51131421	
1x18W TC-L	2G11	4000	18	21	61	1200	67	390	51141421	
VAUBAN E STAINLESS FLUO										
Designation	Base	CCT (K)	Power (W)	Luminaire power (W)	Luminaire efficiency (%)	Source output (lm)	Source luminous efficiency (lm/W)	Aperture lenght (mm)	Frame lenght (mm)	Code 316L
1x24W TC-F	2G10	4000	24	27	61	1700	71	400	425	51308400
1x36W TC-F	2G10	4000	36	40	61	2800	78	400	425	51318400
1x11W TC-SE	2G7	4000	11	15	61	900	82	400	425	51328400
2x11W TC-SE	2G7	4000	11	28	50	900	82	400	425	51338400
1x18W TC-L	2G11	4000	18	21	61	1200	67	400	425	51348400
VAUBAN E STAINLESS FLUO dimmable + switch dimming + standby warning										
Designation	Base	CCT (K)	Power (W)	Luminaire power (W)	Luminaire efficiency (%)	Source output (lm)	Source luminous efficiency (lm/W)	Aperture lenght (mm)	Frame lenght (mm)	Code 316L
1x24W TC-F	2G10	4000	24	27	61	1700	71	400	425	51308421
1x36W TC-F	2G10	4000	36	40	61	2800	78	400	425	51318421
1x11W TC-SE	2G7	4000	11	15	61	900	82	400	425	51328421
2x11W TC-SE	2G7	4000	11	28	50	900	82	400	425	51338421
1x18W TC-L	2G11	4000	18	21	61	1200	67	400	425	51348421

VAUBAN A LED						
Designation	CCT (K)	Power (W)	Luminaire output (lm)	Luminaire efficiency (lm/W)	Length L (mm)	Code EZ steel
1 module	3000K	7,8	600	76,9	390	51151300
1 module	4000K	7,8	650	83,3	390	51151400
2 modules	3000K	17	1350	79,4	390	51161300
2 modules	4000K	17	1450	85,3	390	51161400

VAUBAN A STAINLESS LED dimmable + switch dimming + standby warning						
Designation	CCT (K)	Power (W)	Luminaire output (lm)	Luminaire efficiency (lm/W)	Length L (mm)	Code EZ steel
1 module	3000K	7,8	600	76,9	390	51151321
1 module	4000K	7,8	650	83,3	390	51151421
2 modules	3000K	17	1350	79,4	390	51161321
2 modules	4000K	17	1450	85,3	390	51161421

VAUBAN E STAINLESS LED								
Designation	CCT (K)	Power (W)	Luminaire output (lm)	Luminaire efficiency (lm/W)	Recess Length L (mm)	Length L (mm)	Code 316L	Code 304L
1 module	3000K	7,8	600	76,9	400	425	51358300	51451300
1 module	4000K	7,8	650	83,3	400	425	51358400	51451400
2 modules	3000K	17	1350	79,4	400	425	51368300	51461300
2 modules	4000K	17	1450	85,3	400	425	51368400	51461400

VAUBAN E STAINLESS LED dimmable + switch dimming + standby warning								
Designation	CCT (K)	Power (W)	Luminaire output (lm)	Luminaire efficiency (lm/W)	Recess Length L (mm)	Length L (mm)	Code 316L	Code 304L
1 module	3000K	7,8	600	76,9	400	425	51358321	51451321
1 module	4000K	7,8	650	83,3	400	425	51358421	51451421
2 modules	3000K	17	1350	79,4	400	425	51368321	51461321
2 modules	4000K	17	1450	85,3	400	425	51368421	51461421