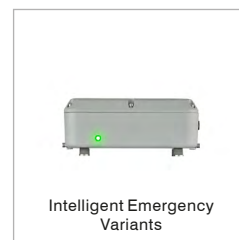


SPARTAN LED
Zone 1/21 Bulkhead



Compact Design

The compact, low profile design is ideal for applications where space is restricted.



Robust and Durable

Designed from marine grade aluminium and able to withstand the most extreme environments.



Easy Maintenance

Featuring a unique modular design, key components are easily accessible for straightforward maintenance and inspection.



Intelligent Emergency

Self-testing emergency battery providing up to 3 hours emergency back-up.

5 YEAR WARRANTY

All Raytec luminaires are provided with an industry leading 5 year warranty and have an expected useful life in excess of 10 years. See Warranty Statement for details.



Technical Specifications

Certification

ATEX Rating	ATEX UKCA and IEC Ex rated for Gas and Dust
Hazardous Area Rating	Zone 1 (Gas), Zone 21 (Dust)
Certificates	CML 13ATEX3007, IEC Ex CML14.0001 & CML21UKEX3099
Gas	II 2 G D Ex eb mb IIC T4 Gb Ta= Up to -50°C to +55°C (-20°C to +46°C for emergency variants)
Dust	Ex tb IIIC T98°C Db Ta= Up to -50°C to +55°C (-20°C to +46°C for emergency variants) IP66 & IP67
ABS Certificate #	ABS Certificate # 20-1990083-PDA

Electrical

	BL24	BL24 EMX25
Input	110-254V 50/60Hz AC only Low voltage: 18-48V AC and 18-69V DC Extra low voltage: 12V AC/DC	110-254V 50/60Hz AC only
Power	20W	24W
Termination	Incoming terminal block suitable for looping 4 core 4mm ² cable (6mm ² available - POA)	
Power Factor	>0.9	
Cable Entries	4xM20 as standard (other entries available upon request), dispatched complete with three ATEX/UKEX/IEC Ex approved blanking plug	

Optical

	BL24	BL24 EMX25
Beam Patterns - Circular	10°x 10° or 30°x 30° or 50°x 50° or 120°x 120° (10 x 10 option can be upgraded to Vario Technology)	10°x 10° or 30°x 30° or 50°x 50° or 120°x 120° (10 x 10 option can be upgraded to Vario Technology)
Beam Patterns - Elliptical	35°x 10° or 60°x 25° or 80°x 30° or 120°x 50° (VARIO)	35°x 10° or 60°x 25° or 80°x 30° or 120°x 50° (VARIO)
Lumen output on mains	2,500 lm – circular beam patterns 2,250 lm – elliptical beam patterns (VARIO)	2,500 lm – circular beam patterns 2,250 lm – elliptical beam patterns (VARIO)
LED type	Platinum Elite SMT LEDs	
Number of LEDs	24	
CRI	80+	
Colour Temperature	6500K standard	

Mechanical

	BL24	BL24 EMX25
Burning Position	Universal	
IP Rating	IP66 & IP67	
Temperature Range	- 50°C to +55°C	
Weight	5kg (11.0lbs)	6kg (13.2lbs)
Enclosure	Marine grade aluminium epoxy powder coated, toughened glass, all external fasteners and brackets are marine grade stainless steel	
Unit Colour	Silver (RAL 9006)	
Installation instructions	Please see document 0940-D-00007 at www.raytecltd.com	
Battery care instructions	Please see document 0010-D-00001 at www.raytecltd.com	
Dimensions	See Dimensional Sketches	
Mounting	Comes complete with stainless steel brackets (as shown on next page). Other options available	

Technical Specifications - Continued

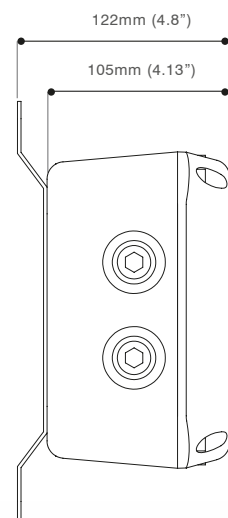
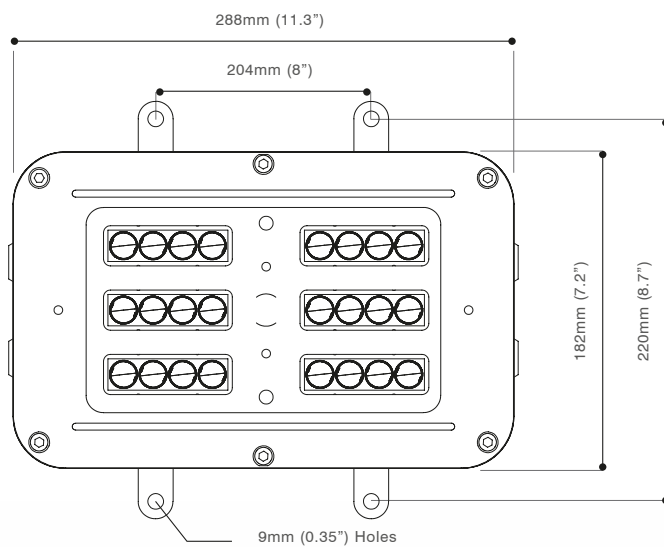
Intelligent Emergency

BL24 EMX25

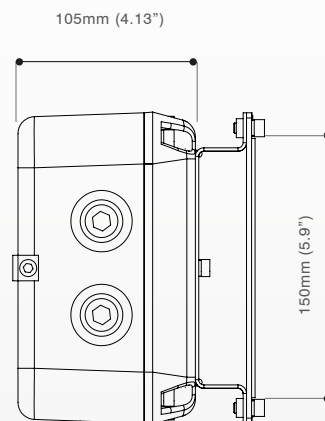
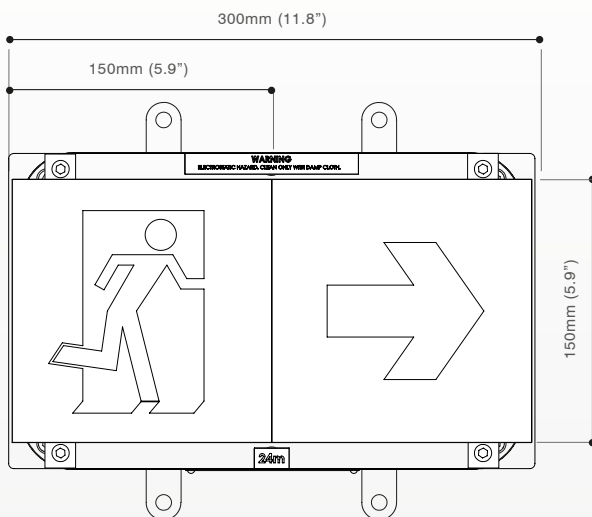
Function	Self-testing intelligent emergency
System health indicator	Tri-colour LED indicator
Emergency Duration	Up to 3hrs @ 25% power Other options available
Emergency Battery	2.5 Ah
Emergency Charge Time	20 hours

Product Dimensions

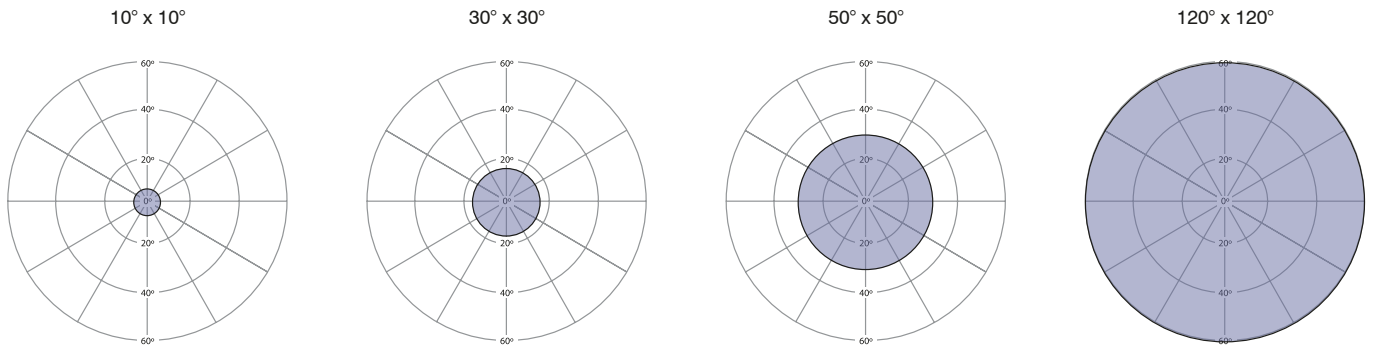
BL24, BL24-EMX



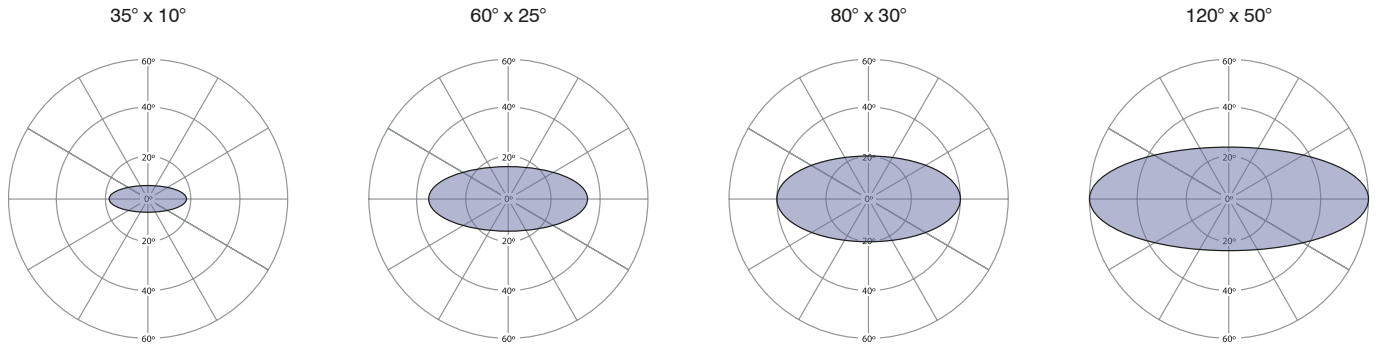
BL24 Exit Sign



Beam patterns - Circular



Beam patterns – Elliptical (VARIO)



Part Code Builder

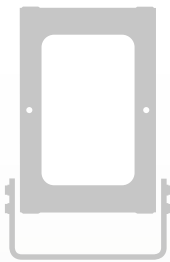
SPARTAN Bulkhead

Example - SPX-BL24-W-120120

Family	Model	Light Type	Optic	Emergency	CCT	Power	Entry	Mounting
SPX	BL24	W - White Light	120120	NOT STATED - Non EM	Not Stated - 6500K	Not Stated - Standard Mains	Not Stated - M20	Not stated - Standard Wall Brackets
			12050	EMX25 (3 hour)	4K - 4000K	LV - Low Voltage (Non EM only)	M25	SP - Spigot Mount
			1010			ELV - Extra Low Voltage (Non EM only)		EXIT - c/w Exit Sign Kit
			3030			LO - Low Output (12W)		
			5050					
			50120					
			8030					
			6025					
			3510					
			10155 (SP only)					

*Other options available, please contact Raytec for more information

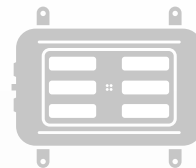
Products in the SPARTAN Family



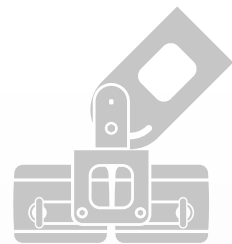
SPARTAN Flood



SPARTAN Linear



SPARTAN Bulkhead



SPARTAN Crane