

Explosion-proof VoIP-Telephone ExResistTel IP2

IP telephone for indoor and outdoor use in zones 1, 2, 21 and 22



Overview

With approved technology of FHF, the ExResistTel IP2 is suitable for indoor and outdoor installations.

The ExResistTel IP2 is the ideal device for every weather and a number of different operation sites – no matter if exposed to seawater, high humidity or extensive mechanical strain.

The housing is made of impact and shock-resistant GRP and even resistant to acids, alkali and lubricants. Its robust design represents a perfect „packaging“ for the latest requirements for VoIP telephones combined with proven reliability for critical mission communications and high safety applications.

The ExResistTel IP2 supports the H.450 supplementary services. It is designed to provide ultimate user comfort on the basis of industrial standards and decades of market leading expertise and know-how.

The ExResistTel IP2 features a display with integrated heating for ultra low temperature environments.

A headset is available as accessory and can easily be connected to the telephone. Moreover, it is also equipped with a hands-free system.

Features

- Protection class IP 66 according to IEC60529
- Ambient temperature -40 °C to +60 °C (spiral cord)
-30 °C to +60 °C (armoured cord)
- Ring tone ≥ 95 dB(A) in 1 m distance
- Pixel-based illuminated LCD display
- V4A stainless steel alphanumeric keypad
- Web-based monitoring (operating, handset, hands-free, ringing)
- User-friendly menu structure
- Standard protocols H.323, SIP, TSIP, SIPS
- Power supply: PoE or external
- Connection to 10/100-BASE-T Ethernet
- Hands-free operation

**ATEX IECEx**

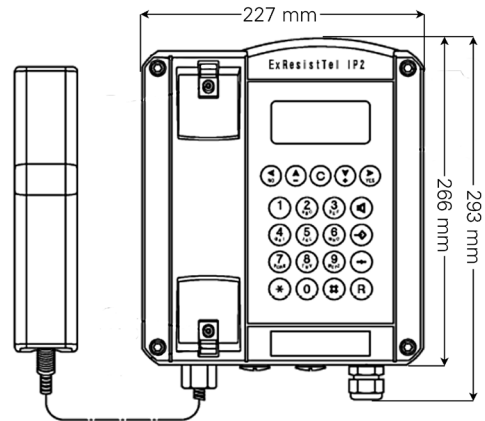
General arrangement drawing (all dimensions in mm)

Certifications

Protection type	II 2 G Ex e [ib] mb IIC T4 Gb II 2 D Ex tb [ib] IIIC T135 °C Db
Approval	PBT 12 ATEX E 2025

Specifications

Power supply	Power over Ethernet according to IEEE 802.3af over spare cable pair or external supply, 19.2 V-5.8 V DC		
Power consumption PoE (class 0)	12.95 W		
Connection	Port (10/100 Mbit/s)		
Ringing volume	Max. approx. 95 dB(A) in 1 m distance		
Housing	Glass fibre-reinforced polyester		
Material	Approx. 293 mm x 227 mm x 135 mm		
Height x width x depth	Approx. 5 kg		
Weight	182 x 64 pixels		
Display	Vertical wall mounting		
Operating position	250 VAC 5 A 100 VA 30 VDC 5 A 100 Watt 230 VDC 0,5 A 100 Watt 50 VDC 1 A 50 Watt		
Relay switching capacity	Receiver		
	Stabilization bracket		
	Earpiece		
	Mouthpiece		
Environmental conditions	IP 66 according to EN60529		
Ingress protection	IK 09 according to EN50102		
Impact protection	-40 °C to +60 °C for devices with steel armoured cord		
Operating temperature	-30 °C to +60 °C for devices with polyurethan spiral cord		



Technical features

Protocols	H.323, SIP, TSIP, SIPS
General	H.323 Version 4 including H. 225, H.235, H.245 and RAS Gatekeeper routed Signalling, H.450, Session Initiation Protocol (SIP) RTP, SRTP Real Time Protocol – for voice data transmission
RTCP	Real Time Control Protocol – first level of „Quality of Service“
RAS protocol	Support for external gatekeeper
DTMF	H.245 „Alphanumeric“ or „Signal Type“
Additional VoIP features	H.245 fast connect Enblock dialing overlapped sending
Security	Encoded password authentication according to H.235
Quality of Service	Prioritization of IP packages over TOS and DiffServ, VLAN priority according to IEEE 802.1p/802.1q
Voice codecs	G.711 A-law/μ-law (64 kbps), G.729A (16 kbps)
Echo compensation	G.168
Access	Via HTML Web Browser, Password-protected with secure authentication
Troubleshooting	Log and trace files, status displays of interfaces a connections of interfaces and connections Ping connection test for internet protocol, sending of SNMP traps
Updates	Configuration recording/reading, Boot code and firmware update via HTML upload Automatic update via update server
DSL access	PPPoE protocol
VPN	Tunneling with PPTP encoding via MPPE
NAT	Network Address Translation – for translation of official IP addresses into non-official addresses and vice versa
DHCP	Dynamic Host Configuration Protocol – IP interfaces settings
ICMP	Internet control Message Protocol – for Ping Tests
Call Tone Generation	Automatic call tone generation according to European and US standard
Call Transfer	Call Transfer, in all usual variants: with/without consultation call, before/after answer etc.
Call Diversion	Call diversion/redirection
Hold	Call hold/retrieve
Call Waiting	Call Waiting, with respective indication to calling subscriber
Message	Message display on telephone
Pickup	Display indicating that a call can be picked up
Pickup List	Display listing the calls which can be picked up
Name Display	To determine the displayed name
Callback	Call Completion, with all common variants such as call back when busy and call back when free
Three-party Conference	Conference with 3 subscribers, also external subscribers
Caller ID	For separate indication of call numbers or groups
Multiple registration	Up to 6 registrations
Telephone book	Automatic availability of all registrations in central telephone book, Integration of external data bases via LDAP
Time	Exact time information via time server access
Handsfree	For use without handset



Ex Headset



TWIN EExII



Protection hood

Ordering data

* The full article number for the TWIN is made up by appending the colour code to the article numbers given below.

Type	Designation	Model	Article number
ExResistTel IP2	VoIP Telephone	black with steel armoured cord	FHF 112 861 80
ExResistTel IP2	VoIP Telephone	black with polyurethan spiral cord	FHF 112 861 81
Accessories			
	Ex Headset		FHF 112 861 04
	TWIN EExII		FHF 118 833 ..*
	Telephone Hood Model 404	galvanized steel, yellow	FHF 118 901 01
	Telephone Hood Model 404	stainless steel	FHF 118 901 11
	Telephone Hood Model 404	synthetic material, orange	FHF 118 901 12
	Telephone Hood Model 404	synthetic material, yellow	FHF 118 901 13
	Telephone Hood Model 404	galvanized steel, red	FHF 118 901 14
	Telephone Hood Model 404	synthetic material, red	FHF 118 901 15
	Telephone Hood Model 404	GRP, yellow	FHF 118 901 22
	Telephone Hood Model 404	GRP, orange	FHF 118 901 23
	Floor mounting console for Model 404	yellow	FHF 118 901 03

transparent	11
red	12
amber	13
green	14
blue	15

Accessories and ExResistTel IP2 with spiral cord are not available as DNV variants.