

Technical data sheet

SENSPOT - FT0245-A4-D



Features

- Nominal voltage: 220–240 V AC, 50/60 Hz
- Input voltage range: 198–264 V AC
- Protection class: II
- IP44 (with IP20 remote power supply) or IP65 (depending on version)
- IK: 10 / 20 joules or IK10+ 50 joules (vandal-resistance version)
- Incandescent wire test 850 °C / 30 s
- Rated ambient operating temperature: 25 °C to NF EN 60598-1 standard
- VK21 as ceiling fitting or VK32 as ceiling fitting (vandal resistance version)
- IRC: 80
- SDCM (Standard Deviation Colour Matching): 3
- Lifetime: L80B50 / 50,000 hr

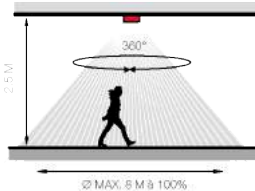
Detection characteristics

- PRO detection version (*built-in*): ON/OFF or Extinction warning or Standby mode adjustable using remote control **98000010** (see guide [NOT0445](#))

Microwave detection: 5.8 GHz
Microwave power: 5 mW typical

Presets under standard conditions of use:

Field sensitivity at 50% (Ø 4 m)
Timer at 1 min
Ambient light 50 lux typical
Extinction warning mode ON



- Slave version: ON/OFF or Extinction warning or Standby mode adjustable using remote control 98000010 (with master/slave daisy-chaining: up to 20 luminaires max – see guide [NOT0445](#)).

Applications

- Architectural luminaire for indoor (IP44) or outdoor (IP65) environments subject to only minor vandalism
- Conditions of use:
 - Models with detection: suitable for indoor use
 - Installation positions: refer to installation instructions

Materials

- Bezel and body: painted zamak (marine environment resistant)
- Diffuser: clear polycarbonate
- Reflector: white polycarbonate
- Remote power supply within suspended ceiling, with 30 cm cable
- RoHS: the products contain no prohibited substances as defined in the European Directive 2011/65/UE and amendments

Colours / Finish

- Standard bezel colour: white RAL9016 polyester paint

Fixings

- Luminaire: using 4 TORX type screws, not visible from the front
- Vandal-resistant version: luminaire fixed using 2 steel TORX type screws on the front

Accessories

(to be ordered separately)

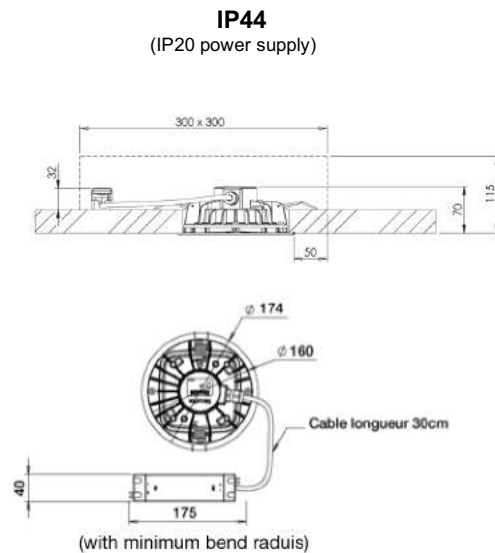
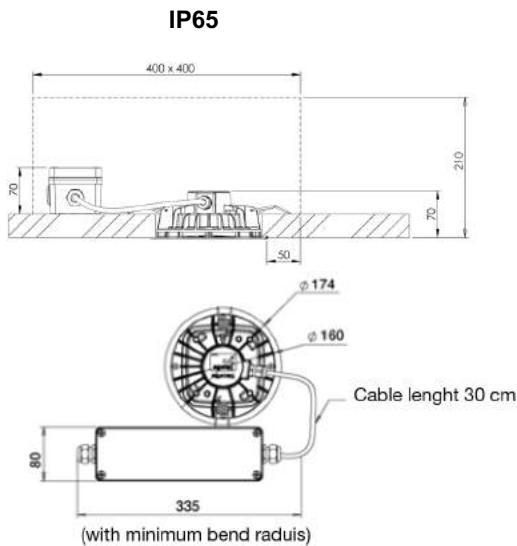
- M5 bit for security Torx screws – **code: 9800 0012** (vandal-resistant version)
- Bit-holder M5 – **code: 9800 0005**
- Remote control (radio-control version) – **code: 9800 0010**

Approvals

Certificates available:

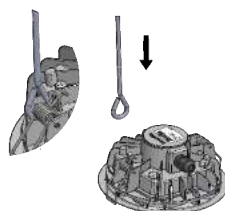
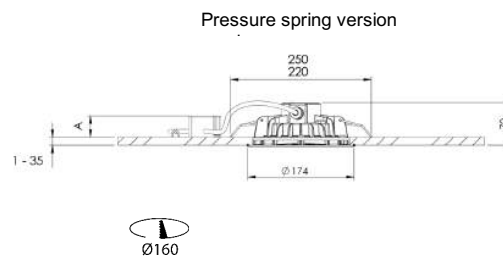
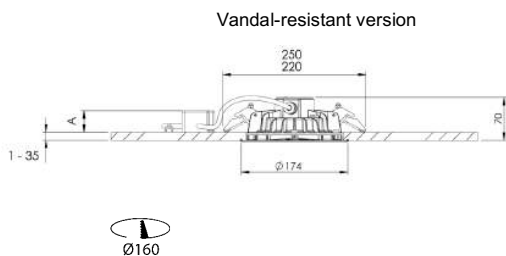
- CE certificate (as per EN60598-1 / 2-2)
- Incandescent Wire Test certificate (depending on product)
- Eligible for BAR-EQ-110 and BAT-EQ-127

Dimensions



Fixings

- Luminaire fixed by pressure spring or by steel screws on the front (vandal-resistant version)

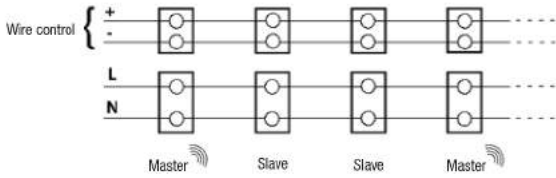


Wiring

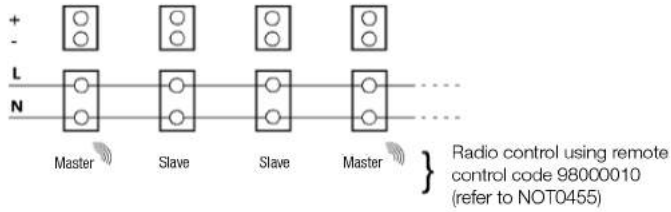
- IP44 version: Connection to the remote power supply
- IP65 version: Connection to remote power supply within sealed connection box with cable gland

Wiring for PRO detection 43 and Slave version 03

Hard-wired version (master / slave)



Radio-controlled version (master / slave)



Technical and dimensional data are given for information only and may be modified at any time without notice.
Please enquire before ordering.

Technical data sheet

SENSPOT - FT0245-A4-D

43 – PRO detection version (built-in):

ON/OFF or Extinction warning or Standby mode adjustable by remote control, master / slave daisy-chaining

SENSPOT IP44						
Designation	CCT (K)	Power (W)	Luminaire Output (lm)	Luminaire efficacy (lm/W)	Code	Code (vandal-resistant)
Senspot 1700	3000	13	1247	95,9	40350343	40450343
Senspot 1700	4000	13	1300	100	40350443	40450443
Senspot 2200	3000	17	1564	92	40360343	40460343
Senspot 2200	4000	17	1630	95,9	40360443	40460443

SENSPOT IP65						
Designation	CCT (K)	Power (W)	Luminaire Output (lm)	Luminaire efficacy (lm/W)	Code	Code (vandal-resistant)
Senspot 1700	3000	13	1247	95,9	40300343	40400343
Senspot 1700	4000	13	1300	100	40300443	40400443
Senspot 2200	3000	17	1564	92	40310343	40410343
Senspot 2200	4000	17	1630	95,9	40310443	40410443

03 – Slave version:

ON/OFF or Extinction warning or Standby mode adjustable by remote control, daisy-chained to PRO detection version

SENSPOT IP44						
Designation	CCT (K)	Power (W)	Luminaire Output (lm)	Luminaire efficacy (lm/W)	Code	Code (vandal-resistant)
Senspot 1700	3000	13	1247	95,9	40350303	40450303
Senspot 1700	4000	13	1300	100	40350403	40450403
Senspot 2200	3000	17	1564	92	40360303	40460303
Senspot 2200	4000	17	1630	95,9	40360403	40460403

SENSPOT IP65						
Designation	CCT (K)	Power (W)	Luminaire Output (lm)	Luminaire efficacy (lm/W)	Code	Code (vandal-resistant)
Senspot 1700	3000	13	1247	95,9	Senspot 1700	40400303
Senspot 1700	4000	13	1300	100	Senspot 1700	40400403
Senspot 2200	3000	17	1564	92	Senspot 2200	40410303
Senspot 2200	4000	17	1630	95,9	Senspot 2200	40410403