

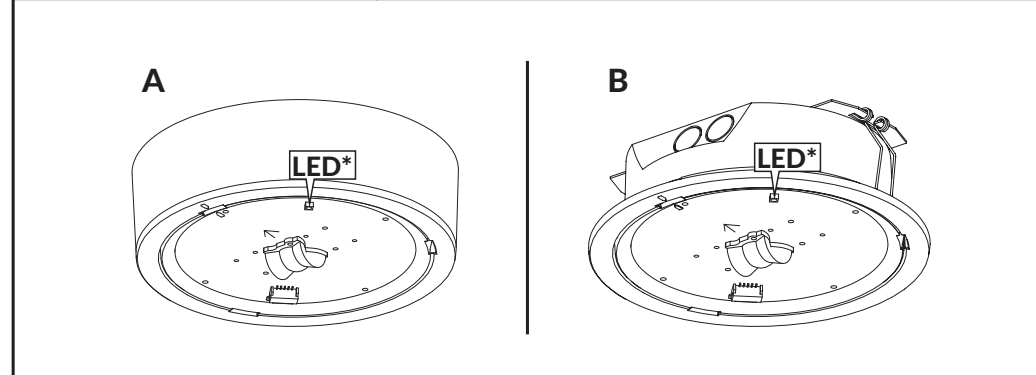
**TM TECHNOLOGIE**  
emergency & evacuation lighting

IP 65 LED 3h 850 °C

210 ÷ 250 V AC  
50 / 60 Hz  
186 ÷ 254 V DC

**iTECH**

10+40°C  
COB  
-15+40°C  
CB1  
-55+35°C  
CB2  
-10+40°C  
0.4 m  
EAC  
CNBOP-PIB  
05 CE



**CBA, DATA 2**

! CBA = CB3

TM-PROG

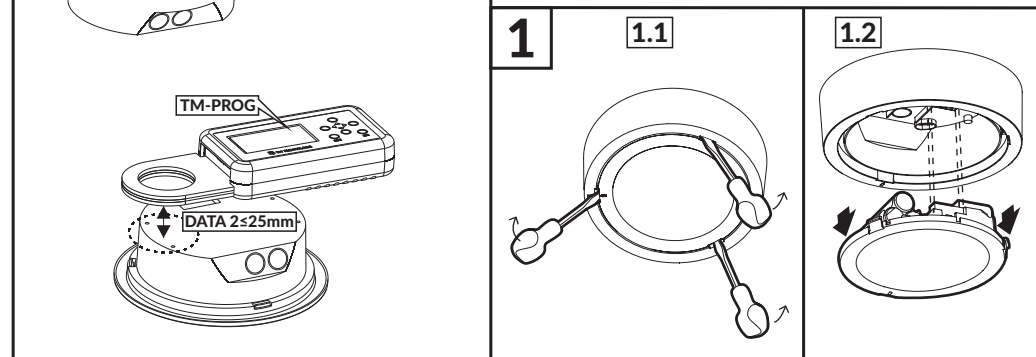
CBA ≤ 10mm

DATA 2 ≤ 25mm

! ±1 [mm]

! \*\*B

74\*\*  
70\*\*  
66  
50  
10  
20  
2xø17  
ø168  
ø171  
ø130  
22  
15  
2xø17



! LiFePO4/C 3.2V/1.5Ah

4.5

4.6\*

4.7

4.7

iTECH	M	NM	CB
t <sub>c</sub> [°C]	95	76	78

iTECH	CBA
t <sub>c</sub> [°C]	84

iTECH	M6
t <sub>c</sub> [°C]	94

iTECH	1 LED	2 LED
t <sub>c</sub> [°C]		57

! CB = CB1  
● CBA = CB3

QR code



**B**

1B.3

1.6

1B.3

1B.10

IP65

1.5

1B.4

1B.4

1.5

IP65

1.11

1.8\*

N P

1B.9

**A**

105mm

1A.3

1A.9

N P

1A.4

1A.10

IP65

**1.7**

<b>M</b>	CB = CB1 CBA = CB3	<b>CB</b>
■ ■ ■ ■ ■ BA L1 L N (DA DA)		■ ■ ■ ■ ■ L/+ N/- CB
<b>NM</b>	<b>M1: NM / M</b>	<b>CBA</b>
■ ■ ■ ■ ■ BA L N (DA DA)	■ ■ ■ ■ ■ AB L N	■ ■ ■ ■ ■ N L L1 L+ N- CB

L N	ST / AT	L1 L N	DT/D2/DA	N/B-W/L N/B-W/L	D2R

**2**

S W C F O

**3**

3.1

3.2

3.3\*

3.4

3.5

3.6

3.7

3.8

3.9\*

3.10

3.10

3.10

**4**

\*ST / AT / DATA / DATA 2 / DALI

4.1

4.2

4.3\*

4.4

4.4

4.4

	LiFePO4/C 6.4V/1.5Ah
	LiFePO4/C 6.4V/3.0Ah
	LiFePO4/C 3.2V/1.5Ah