

## Lumistar Push-button for Ex-areas, external



3755.672



II 2G Ex db eb IIC T6 Gb

II 2D Ex tb IIIC T80°C Db

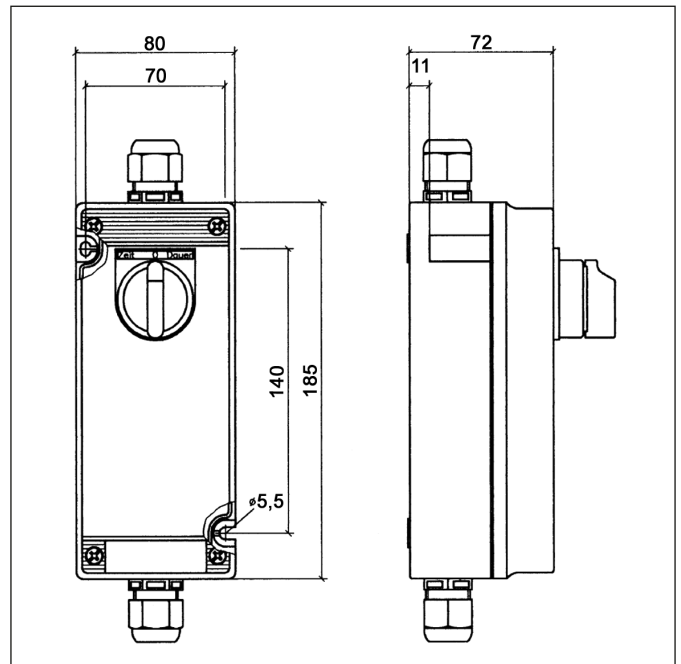
Switch to be set externally, preferably for Lumistar luminaires and other electrical equipment in Ex-areas

- **This data sheet is both installation and operating instruction**
- **The Lumistar push-button enables:**
  - the time-independent control of consumers, e.g. lighting of process sequences
  - the control of time modules in lights or other consumers
- **Settings:**  
For various applications, the push-button can be set double-sided push-button/push-button or single-sided push-button and single-sided switch (switch function continuous light).
- **Assembly:**  
Depending on the version, the push-button is mounted at a maximum cable length of 5 metres from the luminaire when operated with an internal timer or dimmer module.
- **Power supply:**  
The voltage supply for the consumer (e.g. luminaire) is realized by the existing terminals in the button housing.



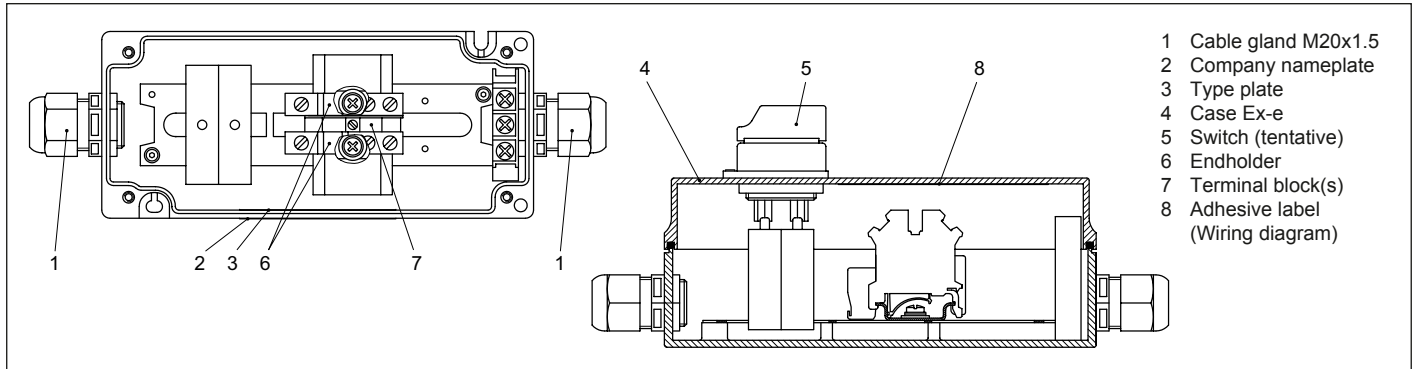
Lumistar push-button for Ex-areas, external

Pos.	Nominal voltage	Version	Part number	For use with
1	24 V, 110-240 V	push-button/ push-button	LS#1702.645.00	internal timing module
2	24 V, 110-240 V	push-button/ switch	LS#1702.649.00	without time module, button continuous operation

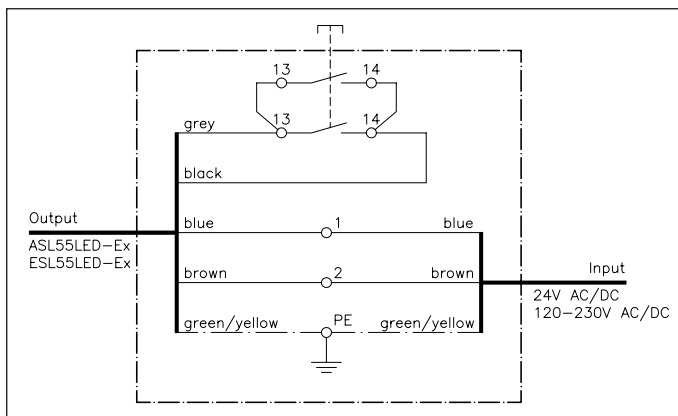


Dimensions for Lumistar push-button

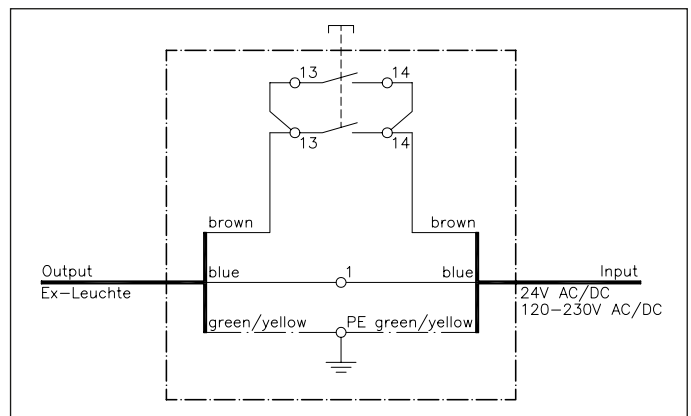
• **Technical data for Lumistar push-buttons for Ex areas:**



EU Type Examination Certificate	II 2G Ex db eb IIC T6 Gb II 2D Ex tb IIIC T80°C Db
Explosion Group	IIC and IIIC
Temperature class	T6 rpsc. T80°C
Degree of protection	IP66 to EN 60529/DIN VDE 0470 part 1
Operating voltages AC/DC	alternative 230-240 V; 115-120 V; 24 V
Ambient temperature	$-20^{\circ}\text{C} \leq T_a \leq +40^{\circ}\text{C}$
Connections	max. 2.5 mm <sup>2</sup> , fine wire
Case	polyester resin (GF)



for internal time module



for push-button/continuous light operation

## Installation Instructions

• **Important notes:**

- The button may only be installed in the Ex-area by personnel expressly trained and authorised for this purpose be connected and maintained.
- The operating permit expires in case of improper use of the device.

• **Electrical connection:**

- The button is connected to the supply line to the consumer. Use cables with a diameter of 6-13 mm for the cable glands M20x1.5.
- The valid installation regulations DIN EN 60079-14 must be observed.

- For connection the housing cover must be unscrewed. A connection diagram is located in the housing cover.
- After the electrical connection the housing cover under consideration of the proper sealing to unscrew again.

• **Protection:**

- A back-up fuse is provided externally in accordance with the connecting cable to be provided.