

ODIS-LED

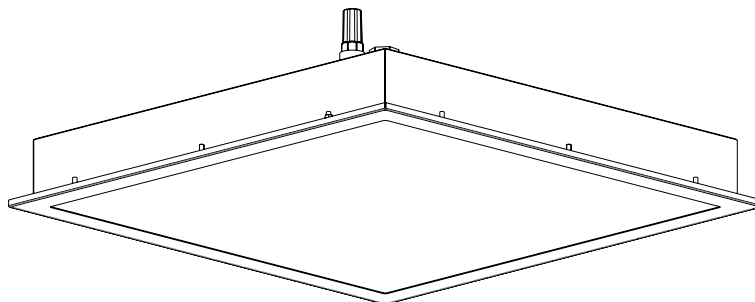
Technical conditions for mounting luminaire

ENG

24.03.2026/ rev.2

www.vyrtych.cz

IP66/IP50, class I



Technical information:

Allowed range of operating temperatures for voltage 220-240V, 50/60 Hz:

ODIS-LED-SQ-3300	/17W/	-20°C to +60°C
ODIS-LED-SQ-4800	/27W/	-20°C to +60°C
ODIS-LED-SQ-6300	/37W/	-20°C to +60°C
ODIS-LED-SQ-7200	/41W/	-20°C to +60°C
ODIS-LED-SQ-8700	/49W/	-20°C to +60°C
ODIS-LED-SQ-12000	/70W/	-20°C to +45°C
ODIS-LED-R-3300	/17W/	-20°C to +60°C
ODIS-LED-R-4800	/27W/	-20°C to +60°C
ODIS-LED-R-6300	/37W/	-20°C to +60°C
ODIS-LED-R-7200	/41W/	-20°C to +60°C
ODIS-LED-R-8700	/49W/	-20°C to +55°C
ODIS-LED-R-12000	/70W/	-20°C to +45°C

Rated voltage and frequency:

for LED drivery HELVAR:

220 - 240V, 0/50/60 Hz

for LED drivery TRIDONIC:

220 - 240V, 0/50/60 Hz

for LED drivery TCI:

220 - 240V, 0/50/60 Hz

emergency unit TRIDONIC

220 - 240V, 50/60 Hz

Tolerance of luminous flux and power input of the lighting fixture +/- 10%

Table list of cable glands:

Cable glands	Diameter of the cable for cable glands M20x1,5
OBO V-TEC Ex	∅ 7 mm - 12 mm
CEAG CHG 960 92.. P...	∅ 5,5 mm - 13 mm
WISKA ESKE/1 (S)(-L)(-*)(-RDE)	∅ 7 mm - 13 mm
ELFIT UNI	∅ 7 mm - 12 mm
BIMED LYRA (EURO-TOP)	∅ 7 mm - 12 mm
Pflitsch - 22052st13ex (stainless steel)	∅ 9-13mm

Maximum allowed number of through-wired lighting fixtures for circuit breaker:

	B10 A	B16 A	C 10 A	C16 A
ODIS-LED-SQ-3300/4800/6300	23	38	39	64
ODIS-LED-SQ-7200/8700/12000	18	30	31	51
ODIS-LED-R-3300/4800/6300	23	38	39	64
ODIS-LED-R-7200/8700/12000	18	30	31	51

Installation of the luminaire:

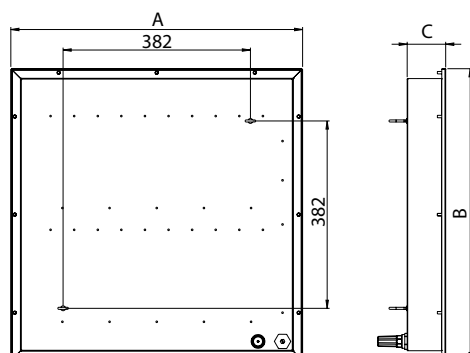
Dimensions: recessed light fixture:

Type of soffit	Luminaire type - recessed	A(mm)	B (mm)	C (mm)
M600	ODIS-LED-SQ-M600	595	595	78,5
	ODIS-LED-R-M600	1195	295	78,5
M598	ODIS-LED-SQ-M598	598	598	78,5
	ODIS-LED-R-598	1198	298	78,5

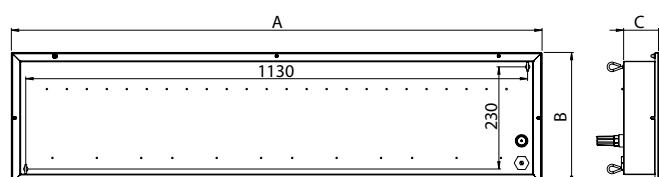
i The minimum size of the cavity in the suspended ceiling is 200 mm on all sides of the light fixture.

Type of soffit	Luminaire type - recessed	A(mm)	B (mm)	C (mm)
M625	ODIS-LED-SQ-M625	620	620	78,5
	ODIS-LED-R-M625	1245	310	78,5
M623	ODIS-LED-SQ-M623	623	623	78,5
	ODIS-LED-R-M623	1247	312	78,5
PB	ODIS-LED-SQ-PB	650	650	78,5
	ODIS-LED-R-PB	1275	340	78,5

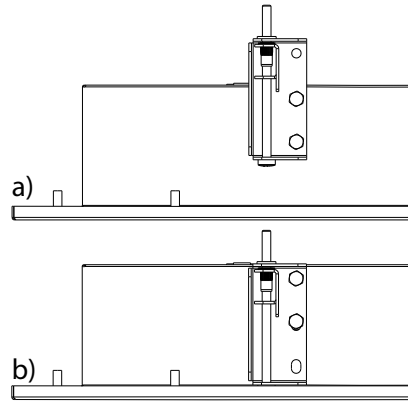
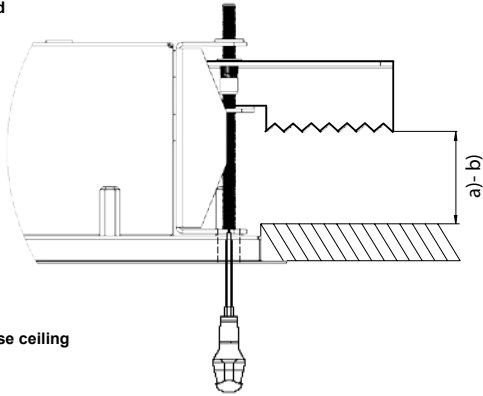
ODIS-LED-SQ



ODIS-LED-R



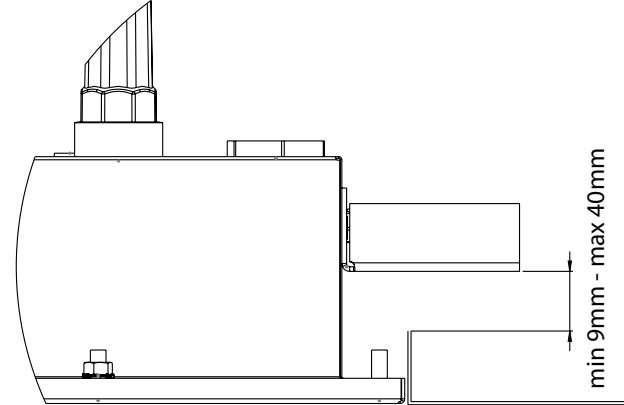
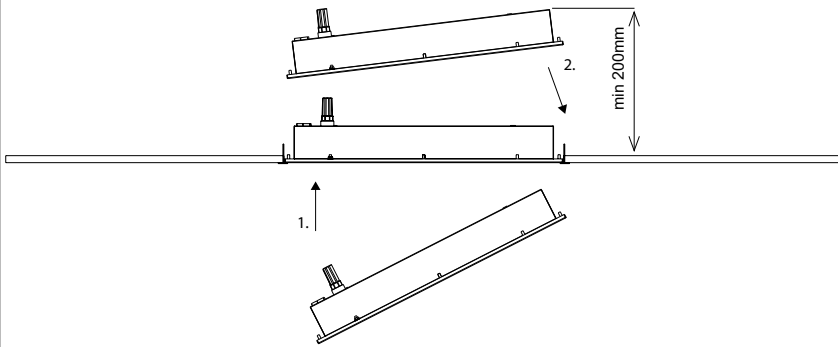
Ceiling mounting:
PB - plasterboard



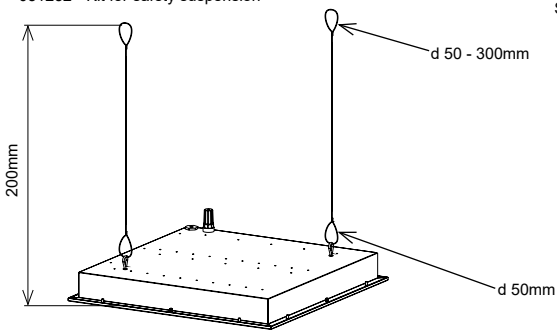
a) thickness plasterboard 20-68mm b) thickness plasterboard 9-40mm

M600 / M625 - false ceiling

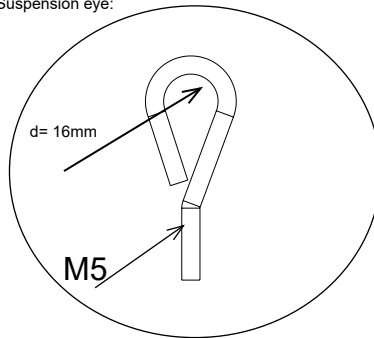
M598 / M623 - metal suspended ceiling



For order:
051232 - Kit for safety suspension

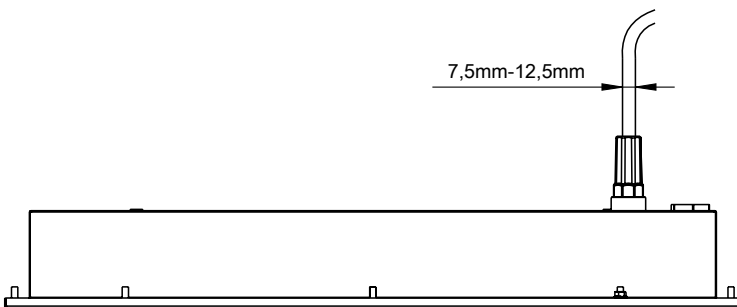
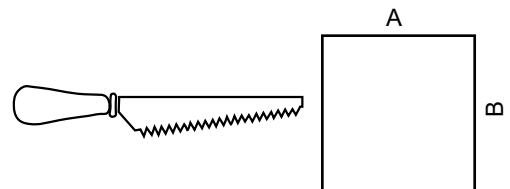


Suspension eye:



Mounting hole for light fixture PB:

Type of soffit	Type of light fixture	A (mm)	B (mm)
PB	ODIS-LED-SQ-PB	634	634
	ODIS-LED-R-PB	1259	324

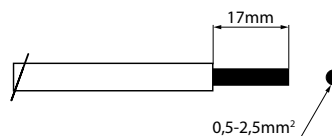
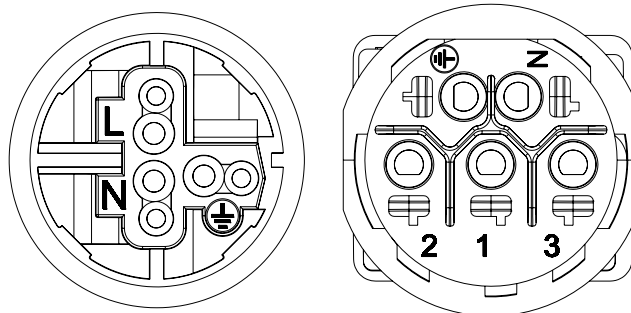


Connection of the luminaire:

1. Plug the power cable into the connector.
2. Mount the light fixture into the ceiling.
3. For safety suspension, use the kit 051232.

TERMINAL	ODIS-LED	ODIS-LED-Em	MULTIODIS-LED	ODIS-LED-DALI
1 / L	phase wire	wire of charging phase	wire of charging phase	phase wire
2	-		wire of switching phase	D1
3	-		-	D2
N	neutral wire	neutral wire	neutral wire	neutral wire
⊕	protective wire	protective wire	protective wire	protective wire

*The marking of individual terminals and connections may differ.
In case of confusion, contact the technical support of VYRTYCH a.s.



The light source and gasket in this lighting fixture can be replaced only producer or its contractual service technique or a similarly qualified person. When installing the lighting fixture, observe the ESD safety using appropriate tools!
When the mounting instructions are not observed, the producer can't be responsible for incidental damages incurred.

The light source and gasket in this lighting fixture can be replaced only producer or its contractual service technique or a similarly qualified person. Repairs to luminaires may only be carried out by a suitably qualified person and only with original spare parts.



WARNING!!!

WARNING – potential danger of electrostatic charging.

WARNING – the lighting fixture must be installed in the position, which does not allow the touch of persons and parts of the fixture.

WARNING – the lighting for fixed installation.

WARNING – the fixture should be cleaned with damp duster only. It is necessary to keep periodic cleaning intervals of lighting fixture

WARNING – do not open under voltage.

WARNING – replace protective cover

WARNING : The battery in the fixture can be changed for the same type or the same parameters only !!!



Producer included in recycling system provided by EKO-KOM Company (EK-F06070058).

Battery change:

It is allowed to disconnect the fixture from supply voltage and take remove reflector from the fixture.

1. Disconnect the fixture from supply voltage.
2. Unbolt locking screws on frame and remove it.
3. Remove the old battery.
4. Insert the new battery (mark the date of operation start).
5. Connect connector.
6. Mount the frame (with torque 0,5Nm).
7. Connect luminaire to power.


Luminaire testing is designed for using a magnetic switch. Magnetic switch is part of the luminaire. When testing the fixture, place the magnet as close as possible to the diffuser of the fixture. The location is labeled TEST.

Basic instructions:

For users of luminaires

For users of emergency luminaires

For DALI system users

 After clicking on the QR code, you will be redirected to the relevant website.