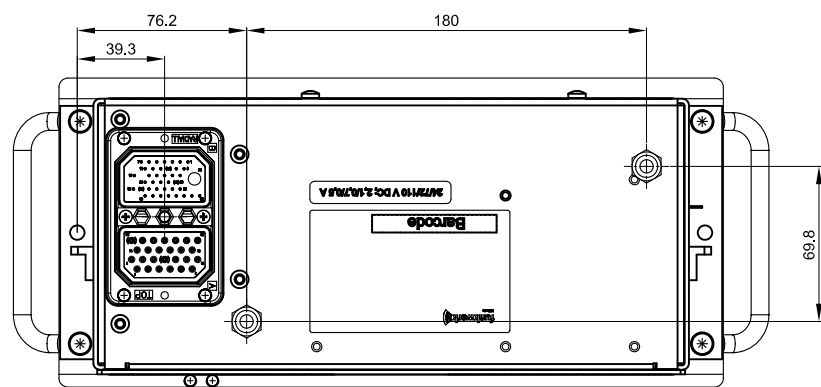
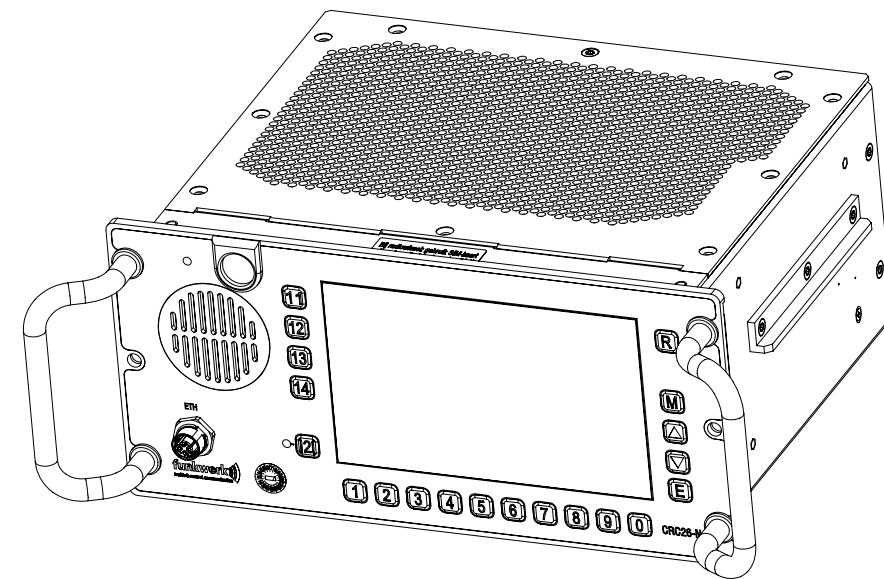
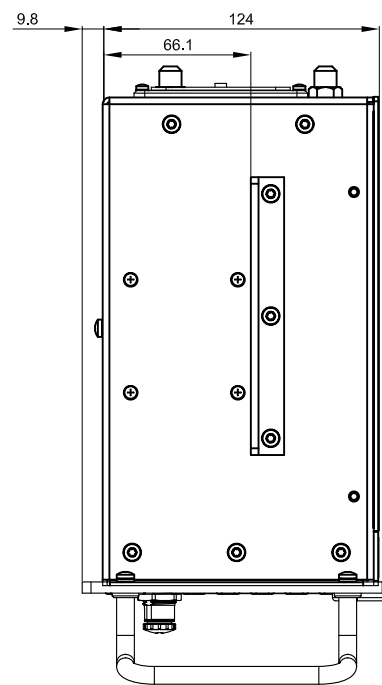
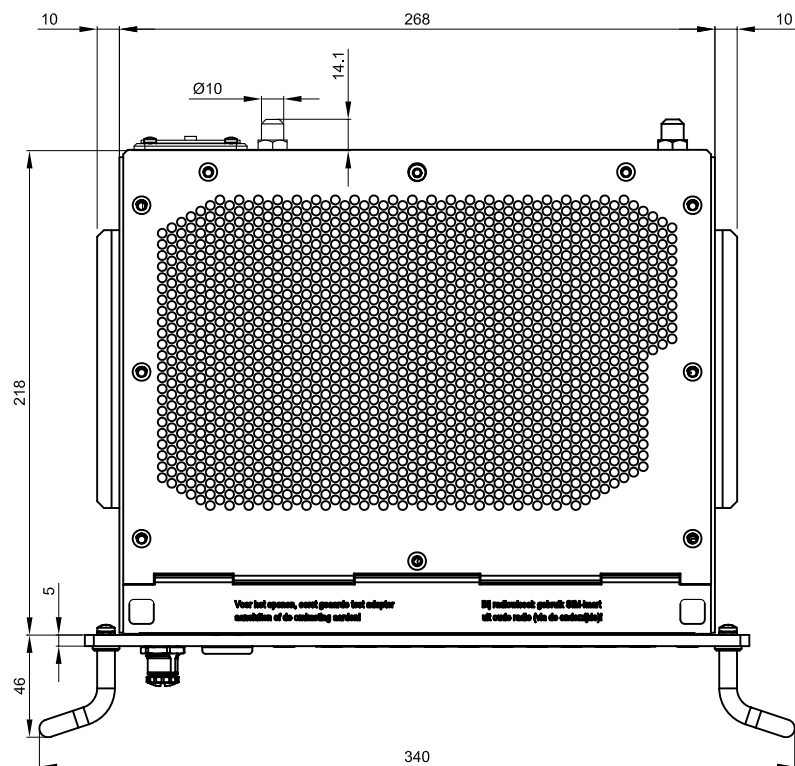
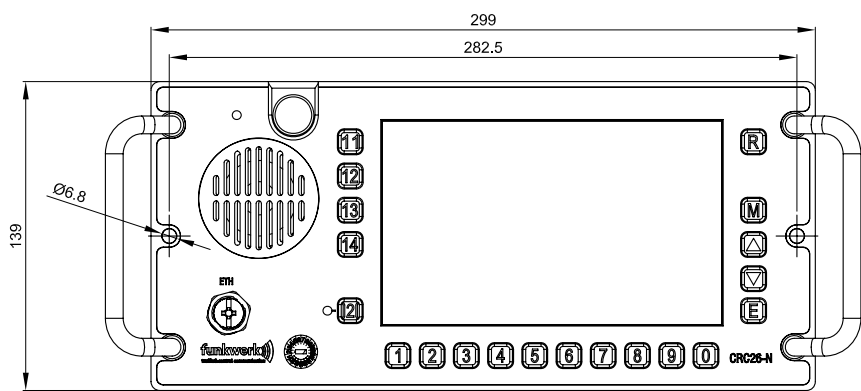


The reproduction, distribution and utilization of this document as well as the communication of its contents to others without explicit authorization is prohibited. Offenders will be held liable for the payment of damages. All rights reserved in the event of the grant of a patent, utility model or design.



Usable for:				Issue			
				Date			
General specif				Scale: without			
				NSR-Doc.: 010229704-001-A			
		Date		Name		<h1>CRC26-N</h1> <p>- Dimensions -</p>	
		Drawn 15-06-17		Funk			
		Check 15-06-17		Marold			
		Norm					
		E_CRC26-N_7					
				1428.410.00001.E.EN.7		Sheet 1 of	
Rev.	a	revision note	15-01-12	Fu	Repl. f.:	Repl. by:	