

Malux

MODE D'EMPLOI – OPERATING INSTRUCTIONS



Boîte Pendante de Sécurité Augmentée - Modèles XAWP

Increased Safety Pendant Control Station – XAWP series

1. General information

The operating instructions must always be preserved during the lifetime of the product. It summarizes the key safety measures.

It must be read by everyone working with the product so that they know to handle it properly.

The pendant control station Ex e must be used only for the purposes for which it was intended.

EX-TECH SOLUTION shall not be held liable for damages resulting from incorrect or improper use or non-compliance with this manual.

Only authorized and trained persons are authorized to perform work on pendant control station Ex e (installation, commissioning, maintenance, maintenance).

During installation and operation, it is imperative to follow the instructions (technical characteristics and operating conditions) written on the marking plate of the increased safety enclosures Ex e.

2. Manufacturer

Ex-tech Solution

22, impasse de la Volute – Z.A. les Montagnes

B.P. 20708 – 16430 Champniers – France

Tel: + 33 5 45 93 01 10 – Fax : + 33 5 45 93 01 15

E-mail: sales.solution@ex-tech.no – www.ex-tech.no

3. Storage and transport

- ⇒ Check that the product was not damaged during the transport. If necessary, make a complaint to the carrier
- ⇒ Never turn on damaged products
- ⇒ The product should be stored for a maximum of two years into a place dry (no condensation), enclosed, covered, protected from contact with external chemicals and to temperatures of -40 ° C ... + 70 ° C and vibration-free

4. Use

The pendant control station Ex e described in this manual are certified II 2 GD and can operate into the classified zones 1 and 2 for gases or 21 and 22 for dusts.

5. Function

The pendant control station certified for hazardous areas in protection mode Ex e are robust materials designed to meet the highest requirements for use especially in the oil and gas, chemical, pharmaceutical and food.

The pendant control station XAWP... are available in many sizes, in GRP. They are valuable for control, monitoring, automation, distribution board, or any other applications. They are suitable for the design of complex systems.

These enclosures are designed to receive:

- Internally, electrical components certified for explosive atmospheres.
- On the surface, components such as pushbuttons, switches, pilot lights that have be certified.

6. Technical data

6.1. Certificates

Type of certificate	Certificate Nr. as Equipement
Europe (ATEX)	INERIS 03ATEX0122X

6.2. Standards accordance

EX zones 1&2 due to gases, vapours and mist	EX zones 21&22 for dusts
EN / IEC 60079-0 EN / IEC 60079-1 EN / IEC 60079-7 EN / IEC 60079-18	EN / IEC 60079-31

6.3. Marking

Ex d e IIC T6 Gb
Ex d e mb IIC T6 Gb
Ex tb IIIC T85°C Db

6.4. Temperature

- Ambient temperature: -20°C ... + 60°C
- Storage temperature: -40°C ... +70°C

6.5. Dissipated power maximum, number of control units and/or pilot light.

Material	References	Power	Units
GRP	XAWP029	12W	2
	XAWP049	24W	4
	XAWP069	36W	6
	XAWP069D	72W	12
	XAWP089	48W	8
	XAWP089D	96W	16

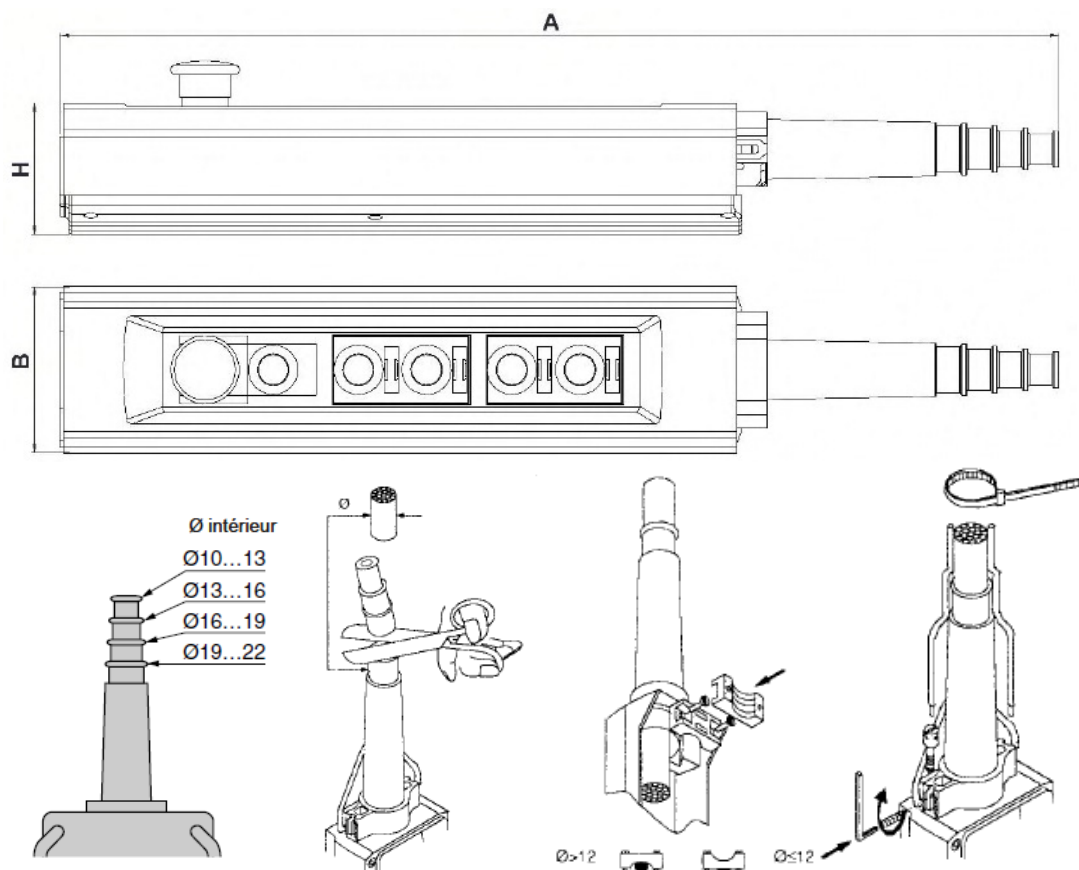
Data for power assessment:

- o 1 contact block NC : 0W
- o 1 contact block NO : 1W
- o 1 LED lamp: 0,5W

The pendant control station for XAWP ... it composed only of control units and / or signaling with bodies such actuators XAWP ... and / or XBW5A ... and / or ZA2B ... and can not be provided empty.

6.6. Dimensions.

References	External dimensions (mm)		
	A	B	C
XAWP029	410	98	76
XAWP049	500	98	76
XAWP069	590	98	76
XAWP069D	603	246	76
XAWP089	680	98	76
XAWP089D	693	246	76



7. Safety instructions

The following safety instructions should be read in conjunction with the following standards:

- ⇒ standard NF C 15 100
- ⇒ standard EN/IEC 60079-14 (Electrical installations design, selection and erection)
- ⇒ standard EN/IEC 60079-17 (Electrical installations inspection and maintenance)
- ⇒ standard EN/IEC 60079-31 (Equipment dust ignition protection by enclosure "t").
- ⇒ decrees, laws, directives, circulars of application, standards, rules of art and any other documents concerning its place of installation



It is strictly forbidden to change anything on and in the enclosure without our prior agreement

- ⇒ Make sure the compatibility between the data on the nameplate of the enclosure with the existing explosive atmosphere, the area of use, the ambient temperature and surfaces temperatures
- ⇒ Any damage of the equipment can have for consequence to make ineffective the explosion-proof protection
- ⇒ The installation of the enclosure have to be performed in the state of the art in the technical domain and only by qualified, competent and authorized person.



A defective or abnormal use as well as the non-observance of the instructions of this document exclude any clause of of guarantee and do not engage our responsibility.



According to the standard IEC 60079-31, it is prohibited to operate the enclosure if the dust thickness on it is greater than 50 mm.



Ex-tech Solution ensures the traceability of the enclosures up the first place of delivery.



During the installation, the user will take into consideration that the lighting and command elements type XBW... or XLW... underwent only a shock corresponding to an energy of a low risk.

8. Mounting and installation

- ⇒ Check if the data on the label of the enclosure are consistent with the permitted conditions for the explosive atmosphere of use
 - Group II : surface industries
 - Category 2 : high level of protection
 - G : for Gas
 - D : for Dusts
 - IPxx : IP rating (waterproofness for solids and liquids)
- ⇒ Before installing and commissioning, ensure that the increased safety enclosures Ex e:
 - Is not damaged externally
 - The surfaces of the lid which are in contact with the surfaces of the housing have no damage
 - The threads of the housing for closing the lid are not damaged
- ⇒ Check if there is a specific position of mounting
- ⇒ The wiring of the cable conductors must be made with a particular care
- ⇒ The conductor insulation must reach the terminal. The conductive soul must not be damaged
- ⇒ Not to exceed the authorized maximal temperature, it is advisable to choose the appropriate cables and take a particular care in installing them
- ⇒ Follow the instructions contained in the specifications

9. Before starting

- ⇒ Make sure the unit has been correctly settled and not damaged
- ⇒ Make sure the wiring and the tightening of the terminal screws have been performed properly (see descriptive tightening torque)
- ⇒ The device may include any foreign body and no part is damaged
- ⇒ The cable gland must be tightened (see description of the gland torque)

10. Maintenance

The maintenance and repairs works on devices must be made only by authorized and trained persons for that purpose.



Before any technical intervention the devices must be switched off.

- ⇒ Prevent and avoid any formation of layers of dusts: make a periodic cleaning with a wet cloth
- ⇒ Do not take apart the command and control units (push buttons, pilot light, etc.)

The following checks must be made at least once a year:

- ⇒ The outdoor equipment and surfaces must not be damaged
- ⇒ The cable entries and blanking plugs must be threaded
- ⇒ Check tightness of the connections, rewiring if necessary
- ⇒ before closing check the cleanliness of the gasket



It is also necessary to observe the regulations in the country of use.