

Atlantic LED, Outdoor Wall CG-S

Safety and Exit Sign Luminaies with High Ingress Protection



Atlantic LED, Outdoor Wall CG-S

- LED safety luminaire with high protection class (IP65) for indoor and outdoor use
- Luminaire with limited surface temperatures for use in operating areas with fire hazard
- Acc. IFS and HACCP suitable for use in food processing industry (Type R and O)
- Robust construction from aluminium diecast and high impact resistant cover made of polycarbonate
- Numerous knock-outs for cable entries and double terminal for through-wiring (outdoor wall only one cable entry)
- High spacing by double optics technology and highly efficient HighPower LEDs
- Up to 29 m from luminaire to luminaire with optics for exit route illumination
- Minimum service requirement due to high service life of the LEDs (up to 50,000 hours)
- Shortened inspection effort due to CEWA GUARD technology
- Automatic function monitoring of up to 20 luminaires per circuit
- Reduced installation expenditures by STAR technology
- Freely programmable mixed operation of the switching modes per luminaire in one circuit

Atlantic LED R CG-S



Atlantic LED O CG-S



Outdoor Wall CG-S

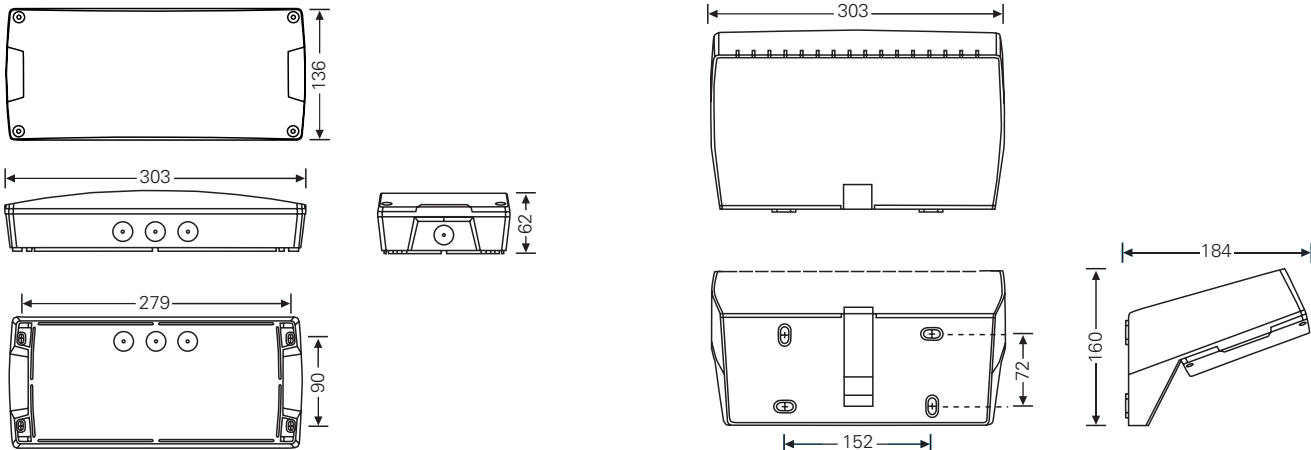


Luminous flux	Atlantic LED R, OutdoorWall: 225 lm Atlantic LED O: 220 lm
Luminous flux Φ_E/Φ_N at the end of rated operating time	100 %
Housing material	Aluminium diecast, Polycarbonate (850 °C glow wire resistant)
Housing colour	Grey / similar RAL 7001
Weight	Atlantic LED 1.4 kg OutdoorWall 2.8 kg
Type of mounting	Wall or ceiling mounting
Connection terminals	3 x 2.5 mm ²
Connection voltage	220 – 240 V, 50/60 Hz 176 – 275 V DC
Current consumption - battery operation (220 V)	21.5 mA
Power consumption mains operation (apparent power / effective power)	8.5 VA / 5.0 W
Inrush current	1.5 A
Permissible ambient temperature	-20 °C to +40 °C
Light source	HighPower LEDs 2 x 1.5 W

Ordering details

Type	Scope of supply	Order No.
Atlantic LED R CG-S	Safety luminaire with asymmetric optics for exit route illumination, incl. LED supply and CG-S technology (20 addresses)	40071354892
Atlantic LED O CG-S	Safety luminaire with symmetric optics for anti-panic / open area illumination, incl. LED supply and CG-S technology (20 addresses)	40071354893
OutdoorWall CG-S	Safety luminaire with asymmetric optics for exit route illumination, incl. LED supply and CG-S technology (20 addresses)	40071354894

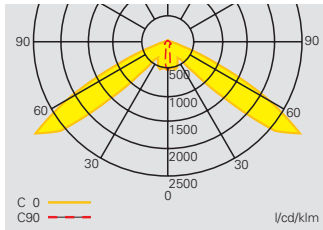
Dimensions in mm



Atlantic LED, Outdoor Wall CG-S

Safety and Exit Sign Luminaies with High Ingress Protection

Atlantic LED R CG-S



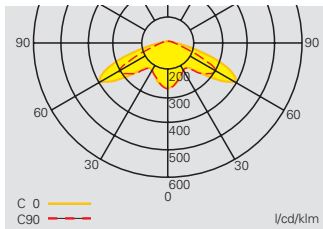
Atlantic R CG-S
with asymmetric optics

Planning help for Atlantic LED R – Asymmetric optics for E = 1.0 lx (0.5 lx)

Measuring level 0.02 m, maintenance factor MF = 80 %, battery operation, distances in m

Mounting height [m]	Types of mounting	L1	L2	L3	L4
2.5	Ceiling mounting	6.0 (6.5)	13.0 (14.2)	2.0 (3.0)	6.1 (7.3)
3.0	Exit route centre	6.8 (7.5)	15.0 (16.2)	1.7 (3.2)	6.1 (8.0)
3.5		7.5 (8.4)	16.8 (18.3)	1.4 (2.8)	5.6 (8.5)
4.0		8.3 (9.2)	18.5 (20.3)	1.2 (2.5)	5.0 (8.7)
4.5		9.0 (10.0)	20.0 (22.2)	1.1 (2.2)	4.4 (8.6)
5.0		9.6 (10.7)	21.5 (24)	1.1 (1.9)	3.9 (7.9)
5.5		10.3 (11.5)	23.0 (25.7)	1.1 (1.8)	3.6 (7.2)
6.0		10.8 (12.2)	24.4 (27.2)	1.0 (1.6)	3.3 (6.6)
6.5		3.6 (12.9)	24.2 (28.8)	1.0 (1.6)	3.3 (6.0)
7.0		3.5 (13.6)	21.9 (30.2)	1.0 (1.6)	3.3 (5.5)
7.5		3.4 (14.2)	21.8 (31.7)	1.0 (1.6)	3.2 (5.2)
8.0		3.3 (14.8)	22.0 (33.2)	0.9 (1.5)	3.1 (4.9)
8.5		3.1 (15.3)	22.5 (34.6)	0.8 (1.5)	3.0 (4.6)

Atlantic LED O CG-S



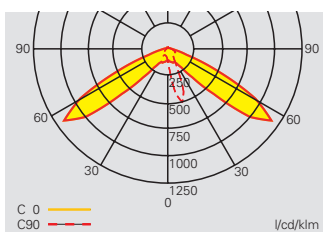
Atlantic O CG-S
with symmetric optics

Planning help for Atlantic LED O – Symmetric optics for E = 1.0 lx (0.5 lx)

Measuring level 0.02 m, maintenance factor MF = 80 %, battery operation, distances in m

Mounting height [m]	Types of mounting	L1	L2	L3	L4
2.5	Ceiling mounting	4.5 (5.4)	10.7 (12.4)	3.8 (4.5)	8.9 (10.0)
3.0	Exit route centre	4.7 (5.9)	11.7 (13.8)	4.1 (5.0)	9.9 (11.4)
3.5		4.9 (6.3)	12.5 (15.1)	4.1 (5.4)	10.8 (12.5)
4.0		4.3 (6.6)	13.2 (16.1)	4.1 (5.8)	11.4 (13.6)
4.5		2.3 (6.8)	13.6 (17.0)	2.1 (5.8)	11.2 (14.5)
5.0		1.9 (6.8)	13.1 (17.8)	1.9 (5.8)	10.4 (15.3)
5.5		1.6 (6.5)	12.5 (18.5)	1.5 (5.8)	9.6 (16.0)
2.5	Ceiling mounting	3.9 (4.3)	9.6 (10.6)	2.9 (3.6)	7.2 (8.5)
3.0	Room illumination	3.4 (4.6)	10.6 (11.6)	3.1 (4.1)	8.1 (9.8)
3.5		3.4 (5.1)	11.6 (13.2)	3.1 (4.2)	8.8 (10.4)
4.0		3.4 (5.6)	12.5 (14.6)	2.8 (4.1)	9.4 (11)
4.5		2.4 (5.9)	13.0 (15.6)	1.8 (4.1)	10.2 (11.8)
5.0		1.9 (6.2)	12.1 (16.8)	0.8 (3.8)	11.1 (12.3)

Outdoor Wall CG-S



Outdoor Wall CG-S
with asymmetric optics

Planning help for Outdoor Wall – Asymmetric optics for E = 1.0 lx (0.5 lx)

Measuring level 0.02 m, maintenance factor MF = 80 %, battery operation, distances in m

Mounting height [m]	Types of mounting	L1	L2	D
2.0	Wall mounting	4.5	11.4	0- 2.0
2.5		5.3	12.2	0- 2.1
3.0		5.8	13.8	0- 2.1
3.5		6.6	15.3	0- 2.2
4.0		7.0	16.7	0- 2.3
4.5		7.6	18.1	0- 2.2
5.0		8.3	19.2	0- 2.1
5.5		8.6	18.9	0.7- 2.0
6.0		3.0	16.9	1.0- 1.9

