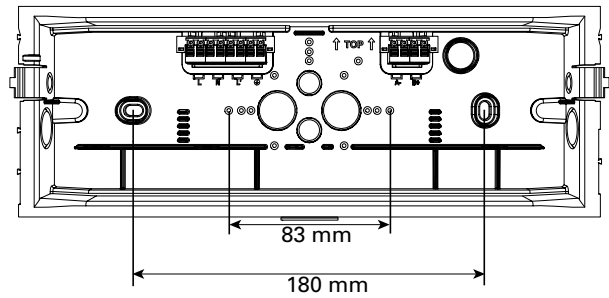
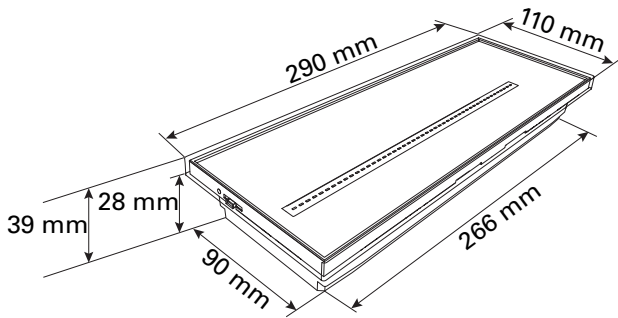


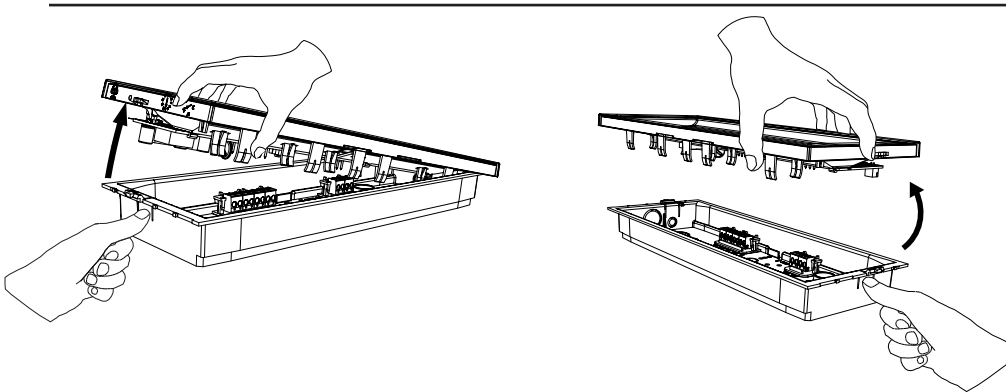
NexiTech LED DOOR Mains / CG-S



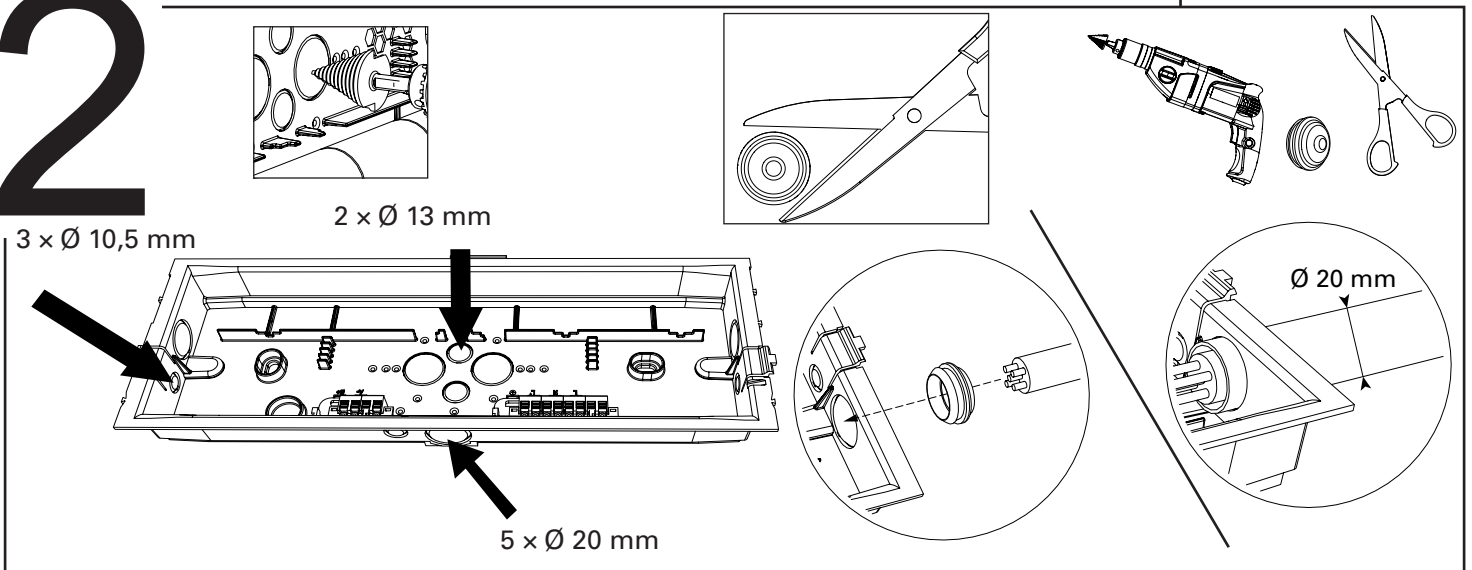
 	 	 2xØ 5 mm		
				 #2
				 #2



1

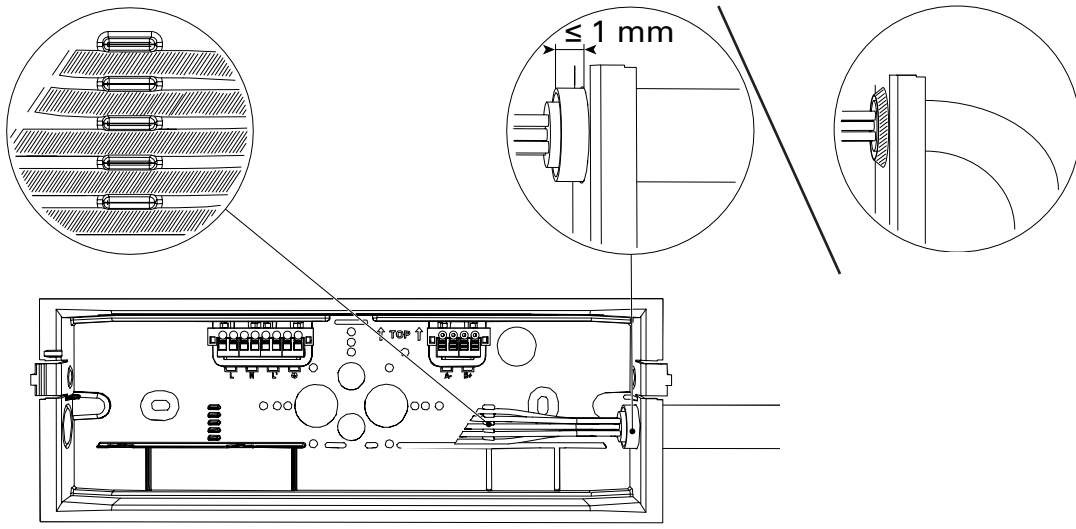


2

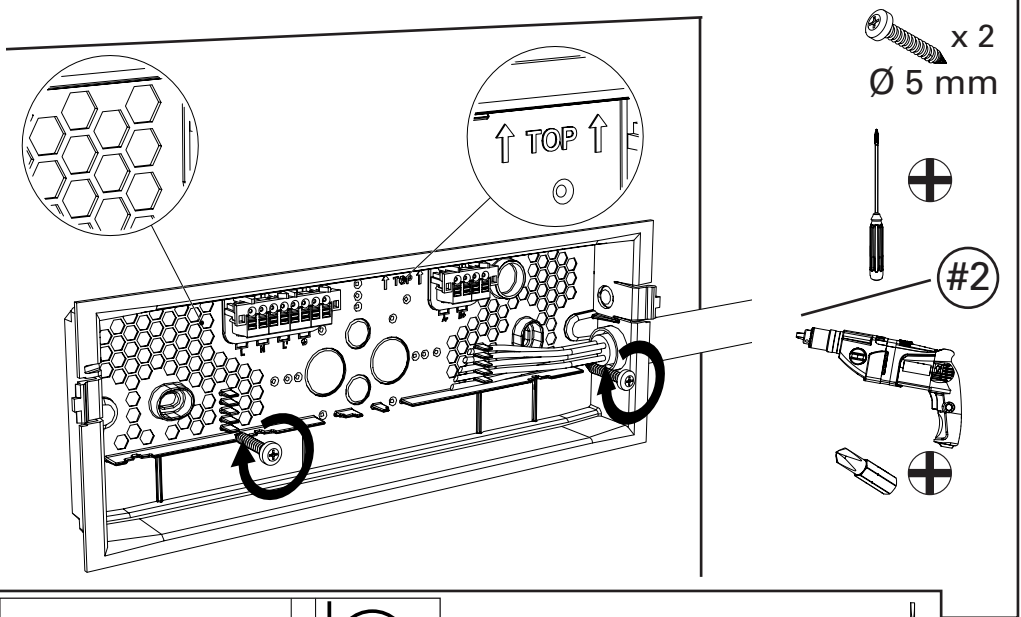


Powering Business Worldwide

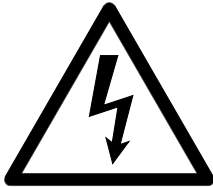
2



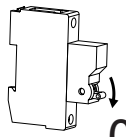
3



4



Mains

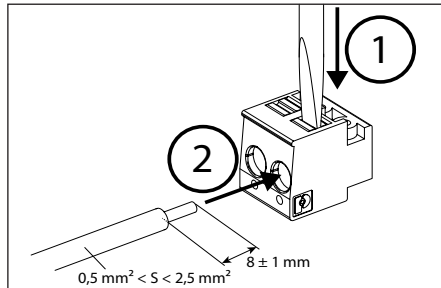


0V



230V ~ 50 Hz
220V DC

N
L

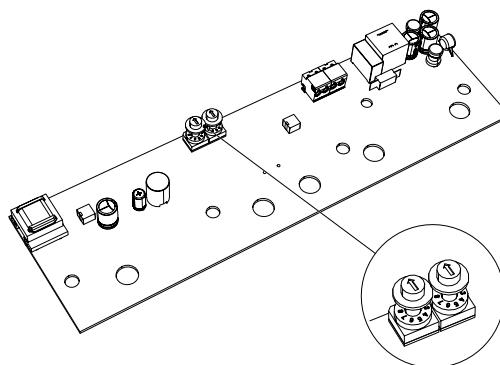


CG-S

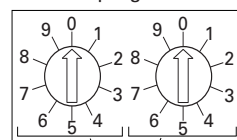
230V ~ 50 Hz
220V DC

N
L

(ZB-S, CG2000, AT-S+)



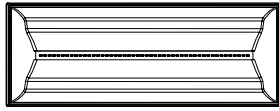
Address program



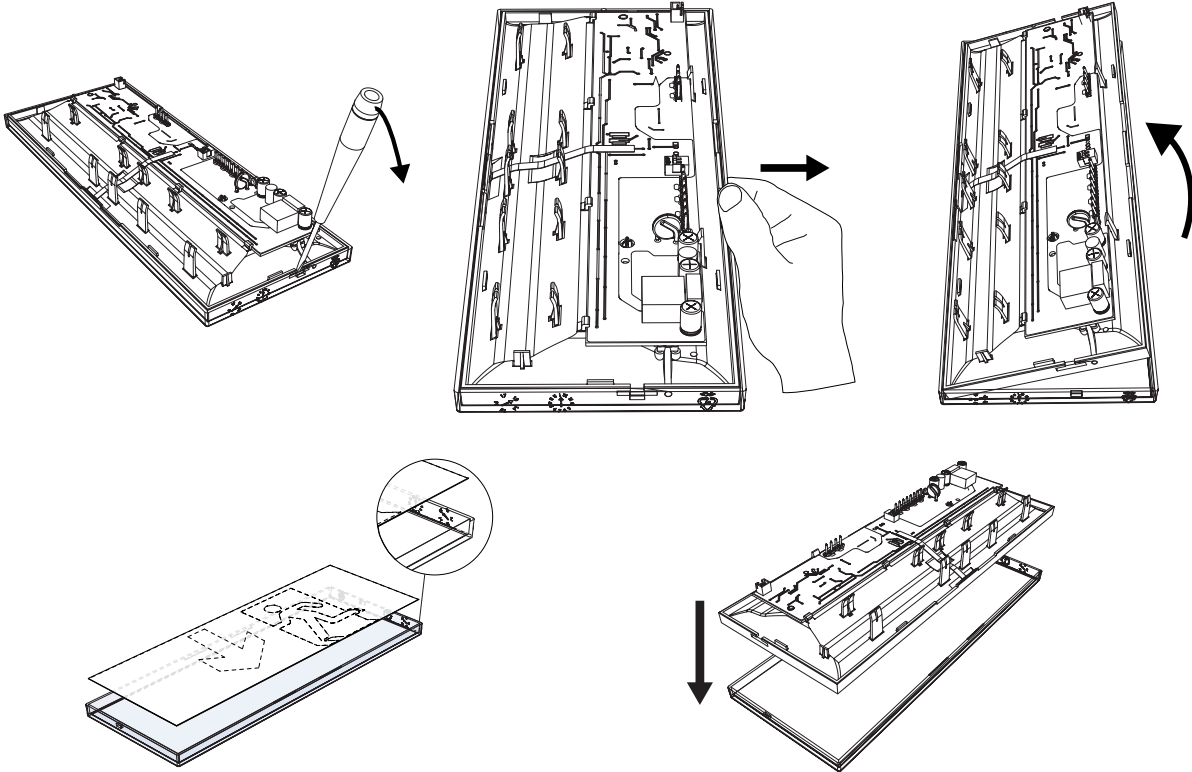
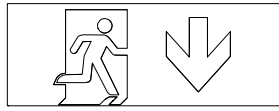
0 + 0 = No address
0 + 1 = 1
0 + 9 = 9
1 + 0 = 10
1 + 1 = 11
2 + 0 = 20
Max. 20

5

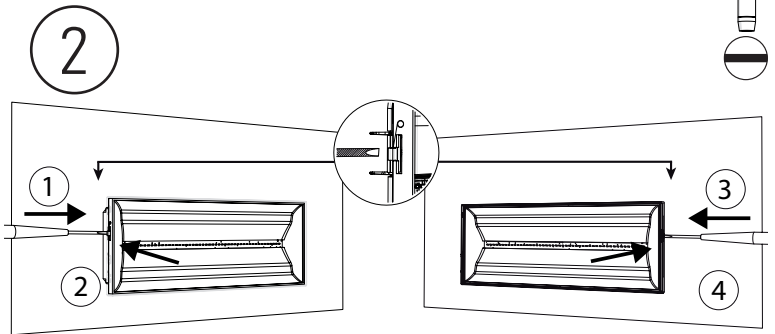
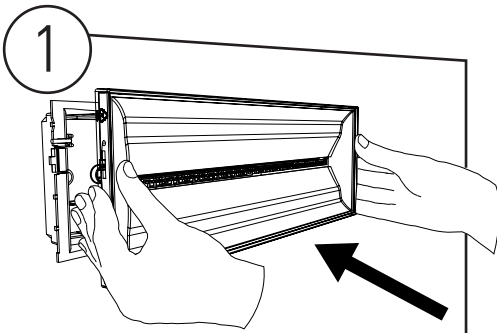
option



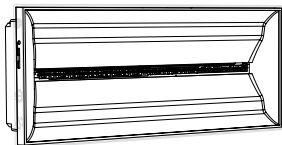
+



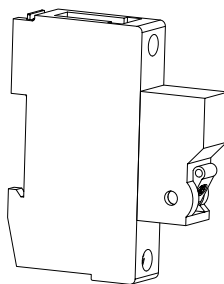
6



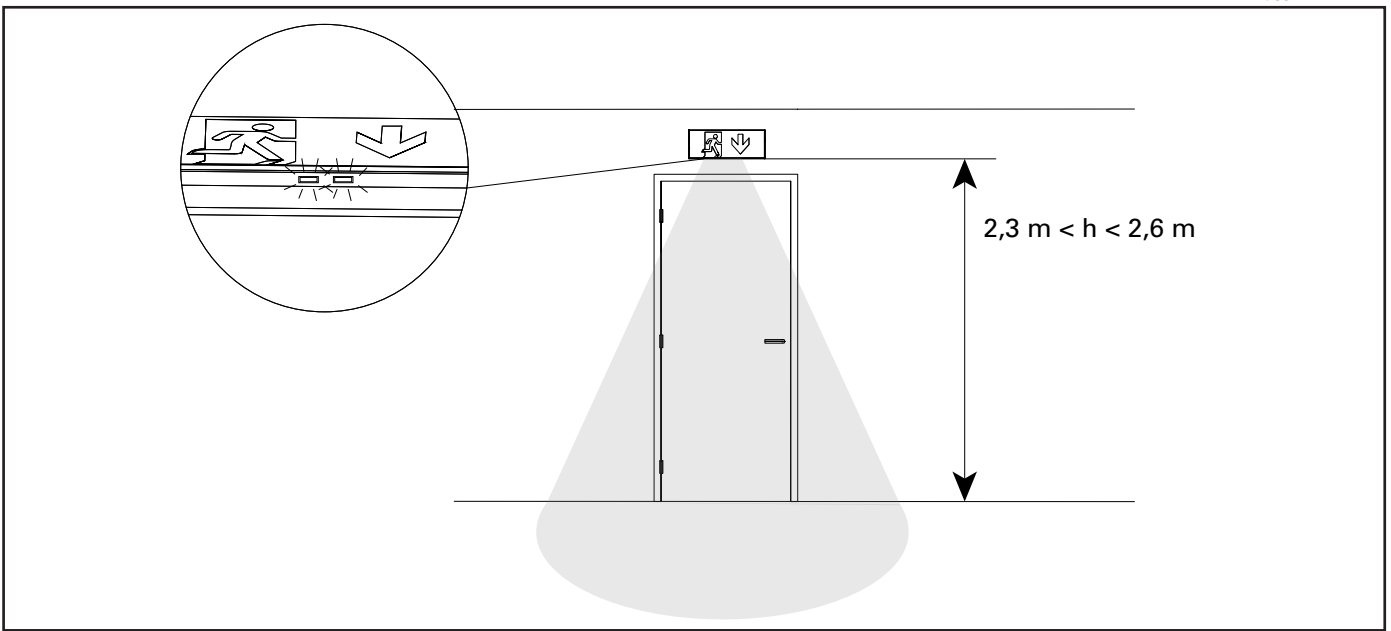
7





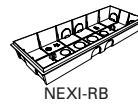
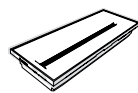
+



~ 230 V



	IP/IK	M.	Im	W
NEXI-D-230	40/03	 	250	3.7
NEXI-D-CGS	40/03		250	4.1



NEXI-PICTO-D



NEXI-PICTO-U

