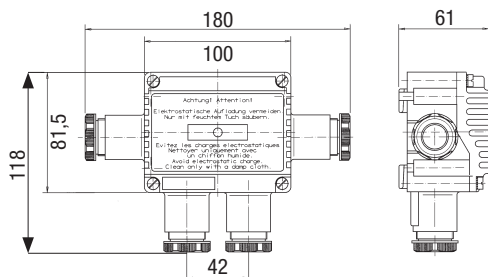


## KOPPLINGSDOSA GHG 791

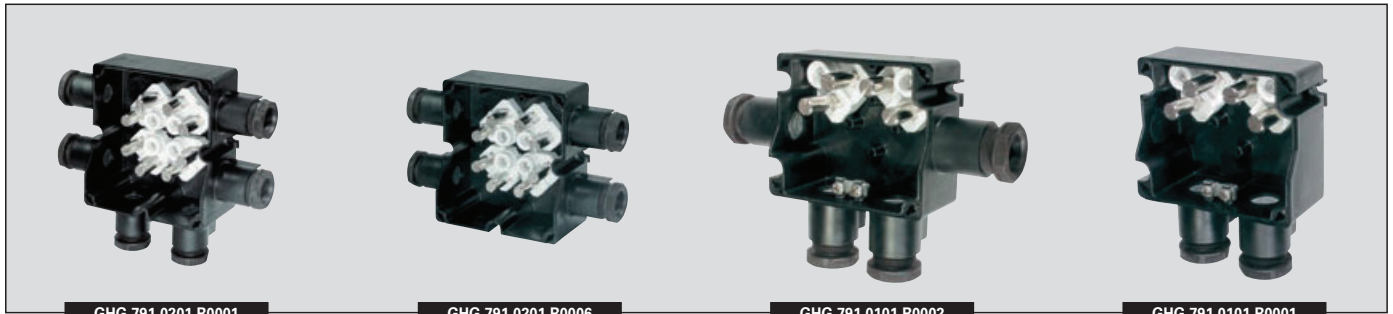


Om du vill!  
Snäppmontage

Art. nr	Typ	Antal klämmor	Per klämma	Skyddsledare		Förskruvningar kabeldiameter	Förskruvning placering	Material
				Antal	Per klämma			
13-5080	eazk 96 1 GHG 791 0101 R0110	4	4x4 eller 2x6 + 1x2,5	1	4x4	3xM16 blå		Polyamid Skrubar i rostfritt
13-5152	eazk 96 1 GHG 791 0101 R0111				4x4	2xM20 blå		
13-5069	eazk 961 GHG 791 0101 R0100				4x4	2xM20		
13-5076	eazk 96 1 GHG 791 0101 R0108				4x4	3xM20		
13-5068	eazk 96 1 GHG 791 0101R				4x4	3xM20		
13-5077	eazk 96 1 GHG 791 0101 R0107				4x4	4xM20		
771021	eazk 96 1 GHG 791 0101 R				4x4	4xM20		
582508	eazk 96 1 GHG 7910102R0225				4x4 Wago	1xM25 (Ø 9-17) 1xM25 blind		
582500	eazk 96 1 GHG 791 0101 R0001				4x4	2xM25 (Ø 9-17)*		
582502	eazk 96 1 GHG 791 0101 R0002				4x4	4xM25* (Ø 9-17)*		

\*2 blindpluggar för förskruvning bipackad.





2

## Technical data

### GHG 791 01 up to 6 terminals / GHG 791 02 up to 8 terminals

Marking accd. to 94/9/EC	⊕ II 2 G Ex dem ia II, IIC T6 / ⊕ II 2 D Ex tD A21 IP66 T80 °C
EC-Type Examination Certificate	PTB 00 ATEX 3108
IECEX Certificate of Conformity	IECEX BKI 07.0034
Marking accd. to IECEx	Ex e II T6 / Ex ia IIC T6 Ex tD A21 IP66 T58 °C
Permissible ambient temperature	-20 °C to +40 °C / -55 °C to +40 °C (option)
Rated voltage	690 V / 550 V <sup>1)</sup>
Rated current	depends on terminal cross section
Terminal cross section	max. 3 x 4 mm <sup>2</sup> or 1 x 10 mm <sup>2</sup> with pin cable lug + 1 x 2.5 mm <sup>2</sup> fine wire max. 3 x 6 mm <sup>2</sup> or 4 x 4 mm <sup>2</sup> solid-wire
Protection class	I
Degree of protection accd. to EN 60529	IP66
Enclosure material	Polyamide

### GHG 791 01 up to 6 terminals

Cable entry/enclosure drilling	max. 4 x M25 for cable Ø 10 - 17 mm max. 4 x M20 metal thread
Connecting terminals	4 x + 1 PE
Dimensions (L x W x H)	81.5 x 100 x 61 mm
Weight	approx. 0.3 kg

### GHG 791 02 up to 8 terminals

Cable entry/enclosure drilling	max. 6 x M25 for cable Ø 10 - 17 mm max. 6 x M32 for cable Ø 12 - 21 mm max. 6 x M20 metal thread
Connecting terminals	6 x + 2 PE
Dimensions (L x W x H)	117.5 x 113.5 x 73.5 mm
Weight	approx. 0.5 kg

<sup>1)</sup> for cage clamp terminals

## Ex-junction box



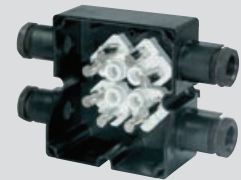
GHG 791 0101 R0001



GHG 791 0101 R0019



GHG 791 0101 R0068



GHG 791 0201 R0006

### Ordering details

Content	Cable gland	No. of terminals	Order No.
<b>GHG 791 01 up to 6 terminals</b>			
	2 x M25 for cable Ø 10-17 mm	4 x Ex-e, 1 x PE	GHG 791 0101 R0001
	4 x M25 for cable Ø 10-17 mm incl. 2 x blanking plug M25	4 x Ex-e, 1 x PE	GHG 791 0101 R0002
	4 x M20 metal thread incl. 2 x threaded plug M20	4 x Ex-e, 1 x PE	GHG 791 0101 R0019
	4 x M25 for cable Ø 10-17 mm incl. 2 x blanking plug M25	4 x 4 Ex-e <sup>1)</sup> , 2 x PE	GHG 791 0101 R0069
	4 x M20 metal thread incl. 2 x threaded plug M20	4 x 4 Ex-e <sup>1)</sup> , 2 x PE	GHG 791 0101 R0068
<b>GHG 791 02 up to 8 terminals</b>			
	4 x M25 for cable Ø 10-17 mm incl. 2 x blanking plug M25	6 x Ex-e, 2 x PE	GHG 791 0201 R0006
	4 x M32 for cable Ø 12-21 mm incl. 2 x blanking plug M32	6 x Ex-e, 2 x PE	GHG 791 0201 R0007
	6 x M25 for cable Ø 10-17 mm incl. 4 x blanking plug M25	6 x Ex-e, 2 x PE	GHG 791 0201 R0001
	6 x M32 for cable Ø 12-21 mm incl. 4 x blanking plug M32	6 x Ex-e, 2 x PE	GHG 791 0201 R0002
	6 x M20 metal thread incl. 4 x threaded plug M20	8 x Ex-e, 1 x PE	GHG 791 0201 R0003

Other applications available on request.

<sup>1)</sup> Cage clamp terminal

### Accessories

#### Mounting plate for junction box 791 01

Type	Application	Fixing method	Order No.
Size 1	Wall mounting	snap on	GHG 610 1953 R0101
Size 1	for trellis mounting	snap on	GHG 610 1953 R0103
Size 1	pipe clamp	snap on	GHG 610 1953 R0102
Protective canopy size 2	for mounting plate size 1		GHG 610 1955 R0101

#### Mounting plate for junction box 791 02

Type	Application	Fixing method	Order No.
Size 2	Wall mounting	snap on	GHG 610 1953 R0104
Size 2	for trellis mounting	snap on	GHG 610 1953 R0106
Size 2	pipe clamp	snap on	GHG 610 1953 R0105
Protective canopy size 2	for mounting plate size 2		GHG 610 1955 R0102

Details for accessories see page 2.2.80 up to 2.2.84.



GHG 791 0201 R0006



GHG 791 0101 R0068

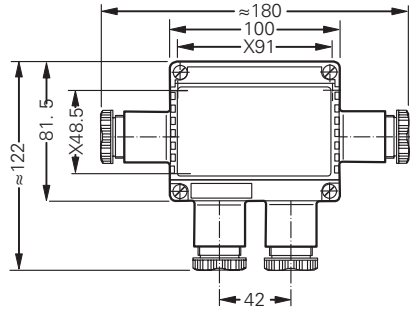


GHG 791 0101 R0019

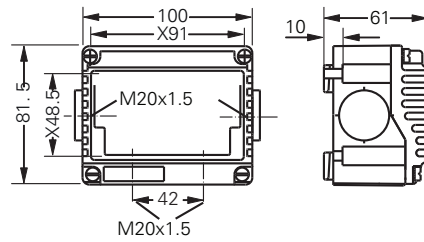
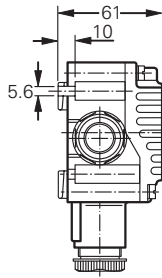


GHG 791 0101 R0001

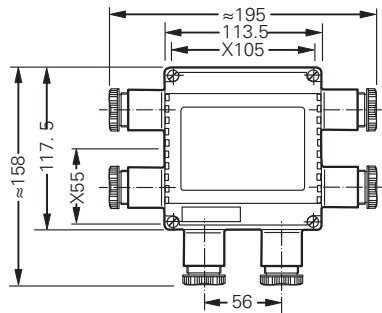
Dimension drawing



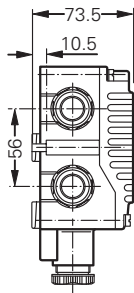
Type 791 01



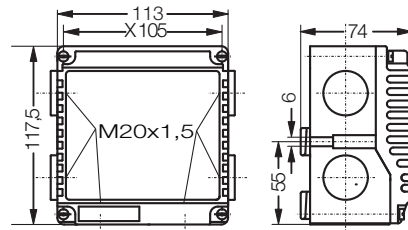
Type 791 01 for metal cable glands



Type 791 02



X = fixing dimensions



Type 791 02 for metal cable glands