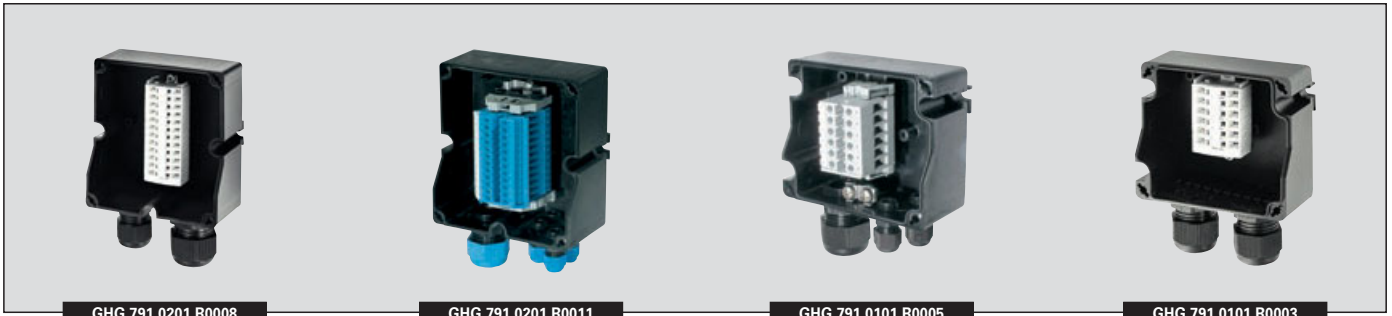


Technical data

GHG 791 01 up to 6 terminals GHG 791 02 up to 12 terminals	
Marking accd. to 94/9/EC	⊕ II 2 G Ex dem ia II, IIC T6 / ⊕ II 2 D Ex tD A21 IP66 T80 °C
EC-Type Examination Certificate	PTB 00 ATEX 3108
IECEX Certificate of Conformity	IECEX BKI 07.0034
Marking accd. to IECEX	Ex e II T6 / Ex ia IIC T6 Ex tD A21 IP66 T58 °C
Permissible ambient temperature	-20 °C to +40 °C
	-55 °C to +40 °C (option)
Rated voltage	690 V
Protection class	I
Degree of protection accd. to EN 60529	IP66
Enclosure material	Polyamide
Enclosure colour	black

GHG 791 01 up to 6 terminals	
Rated current	max. 30 A
Connecting terminals	up to 4 mm ²
Cable entry/enclosure drilling	max. 2 x M25 or 1 x M25 + 2 x M12
Dimensions (L x W x H)	81.5 x 100 x 61 mm
Weight	approx. 0.3 kg

GHG 791 02 up to 12 terminals	
Rated current	max. 39 A
Connecting terminals	up to 6 mm ²
Cable entry/enclosure drilling	max. 2 x M25 or 1 x M32 + 1 x M25 or 1 x M25 + 4 x M12
Dimensions (L x W x H)	117.5 x 113.5 x 73.5 mm
Weight	approx. 0.5 kg



Ordering details

Content	Cable gland	No. of terminals	Order No.
Type 791 01 up to 6 terminals assembled with screw terminals 2 x 2.5 mm² + PE/PA-terminals 2 x 4 mm²			
Ex-e	1 x M25 for cable Ø 8-17 mm 1 x M25 for 2 cable Ø 4.5-7 mm 1 x blanking plug for Ø 4.5-7 mm	6 x Ex-e 4 x PE/PA	GHG 791 0101 R0003
Ex-i	1 x M25 for cable Ø 8-17 mm 1 x M25 for 2 cable Ø 4.5-7 mm 1 x blanking plug for Ø 4.5-7 mm	6 x Ex-i 4 x PE/PA	GHG 791 0101 R0004
Ex-e	1 x M25 for cable Ø 8-17 mm 2 x M12 for cable Ø 4-7 mm 1 x blanking plug for M12	6 x Ex-e 4 x PE/PA	GHG 791 0101 R0005
Ex-i	1 x M25 for cable Ø 8-17 mm 2 x M12 for cable Ø 4-7 mm 1 x blanking plug for M12	6 x Ex-i 4 x PE/PA	GHG 791 0101 R0006
Type 791 01 up to 6 terminals assembled with screwless terminals 2 x 2.5 mm² + PE/PA-terminals 2 x 4 mm²			
Ex-i	1 x M25 for cable Ø 8-17 mm 1 x M25 for 2 cable Ø 4.5-7 mm 1 x blanking plug for Ø 4.5-7 mm	6 x Ex-i 1 x PE/PA	GHG 791 0101 R0008
Ex-e	1 x M25 for cable Ø 8-17 mm 2 x M12 for cable Ø 4-7 mm 1 x blanking plug for M12	6 x Ex-e 1 x PE/PA	GHG 791 0101 R0009
Ex-i	1 x M25 for cable Ø 8-17 mm 1 x M12 for cable Ø 4-7 mm 1 x blanking plug for M12	6 x Ex-i 1 x PE/PA	GHG 791 0101 R0010
Type 791 02 up to 12 terminals assembled with screw terminals 2 x 2.5 mm² + PE/PA-terminals 2 x 4 mm²			
Ex-e	1 x M25 for cable Ø 8-17 mm 1 x M32 for 4 cable Ø 4.5-7 mm 2 x blanking plug for Ø 4.5-7 mm	12 x Ex-e 4 x PE/PA	GHG 791 0201 R0008
Ex-i	1 x M25 for cable Ø 8-17 mm 1 x M32 for 4 cable Ø 4.5-7 mm 2 x blanking plug for Ø 4.5-7 mm	12 x Ex-i 4 x PE/PA	GHG 791 0201 R0009
Ex-e	1 x M25 for cable Ø 8-17 mm 4 x M12 for cable Ø 4-7 mm 2 x blanking plug for M12	12 x Ex-e 4 x PE/PA	GHG 791 0201 R0010
Ex-i	1 x M25 for cable Ø 8-17 mm 4 x M12 for cable Ø 4-7 mm 2 x blanking plug for M12	12 x Ex-i 4 x PE/PA	GHG 791 0201 R0011
Type 791 02 up to 12 terminals assembled with screwless terminals 2 x 2.5 mm² + PE/PA-terminals 2 x 4 mm²			
Ex-i	1 x M25 for cable Ø 8-17 mm 1 x M32 for 4 cable Ø 4.5-7 mm 1 x blanking plug for Ø 4.5-7 mm	12 x Ex-i 4 x PE/PA	GHG 791 0201 R0013
Ex-e	1 x M25 for cable Ø 8-17 mm 4 x M12 for cable Ø 4-7 mm 2 x blanking plug for M12	12 x Ex-e 4 x PE/PA	GHG 791 0201 R0014
Ex-i	1 x M25 for cable Ø 8-17 mm 4 x M12 for cable Ø 4-7 mm 2 x blanking plug for M12	12 x Ex-i 4 x PE/PA	GHG 791 0201 R0015

Other applications available on request.

Ex-e/Ex-i terminal box



GHG 791 0101 R0003



GHG 791 0101 R0005



GHG 791 0201 R0011



GHG 791 0201 R0008

Accessories

Mounting plate for junction box 791 01

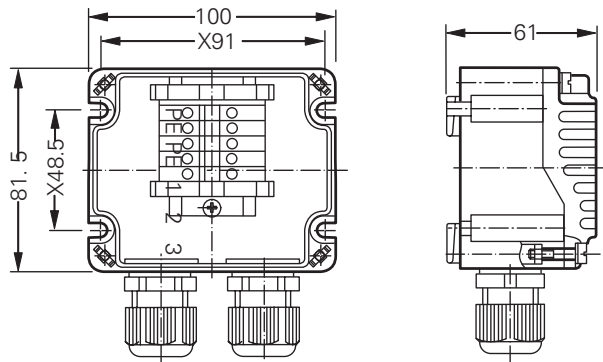
Type	Application	Fixing method	Order No.
Size 1	Wall mounting	snap on	GHG 610 1953 R0101
Size 1	Trellis mounting	snap on	GHG 610 1953 R0103
Size 1	Pipe clamp	snap on	GHG 610 1953 R0102
Protective canopy size 1	for mounting plate size 1		GHG 610 1955 R0101

Mounting plate for junction box 791 02

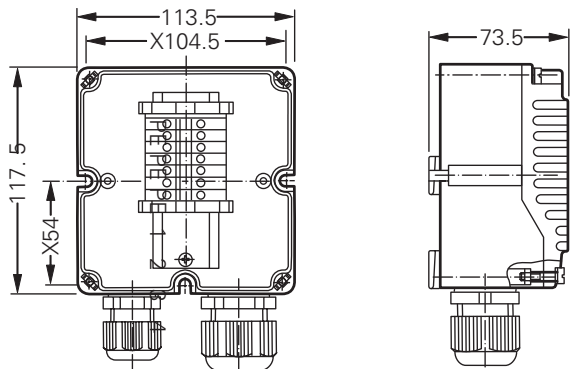
Type	Application	Fixing method	Order No.
Size 2	Wall mounting	snap on	GHG 610 1953 R0104
Size 2	Trellis mounting	snap on	GHG 610 1953 R0106
Size 2	Pipe clamp	snap on	GHG 610 1953 R0105
Protective canopy size 2	for mounting plate size 2		GHG 610 1955 R0102

Details for accessories see page 2.2.80 up to 2.2.84.

Dimension drawing



Type 791 01



Type 791 02

X = fixing dimensions