

Telephone Protection Hood Type 404 / GRP

Especially suitable for use in noisy work environments

- ▶ Sound absorbt up to 25 dB(A)
- ▶ Weatherproof
- ▶ Colour orange or yellow
- ▶ GRP
- ▶ DIN 5510 class S4



Application

The telephone protection hood is an excellent aid to cut out extraneous noise and improve audibility in noisy surroundings when open telephones have to be installed for economic reasons.

The special shape of the hood and its inner lining of sound-absorbing material optimally reduces noise in the area of the telephone. Eavesdropping is also made difficult. The best acoustic effect is achieved when the protection hood is mounted with its back facing the noise source or loudest noise source (see directional diagram of sound-level reduction).

Design GRP

Construction made of glass-fiber reinforced polyester. The inside with sound-absorbing mineral fibre boards behind a perforated plate cover.

Outdoor Telephoning

Soundproofing at a steel production plant



Technical specifications

Housing	GRP
Colour	orange or yellow, Special coating on request
Dimension	As per drawing
Weight	Head 40 kg Console 17 kg
Console	Yellow (option)
Sound absorbt	Up to 25 dB(A)

Material outsides:

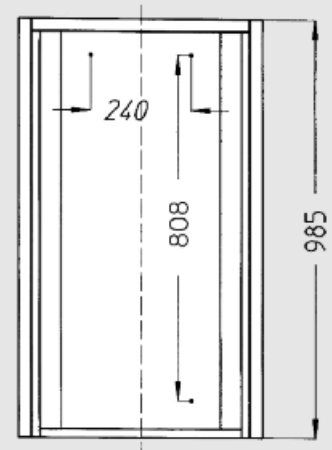
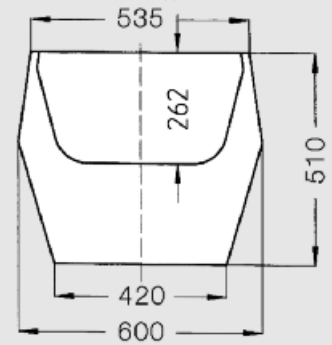
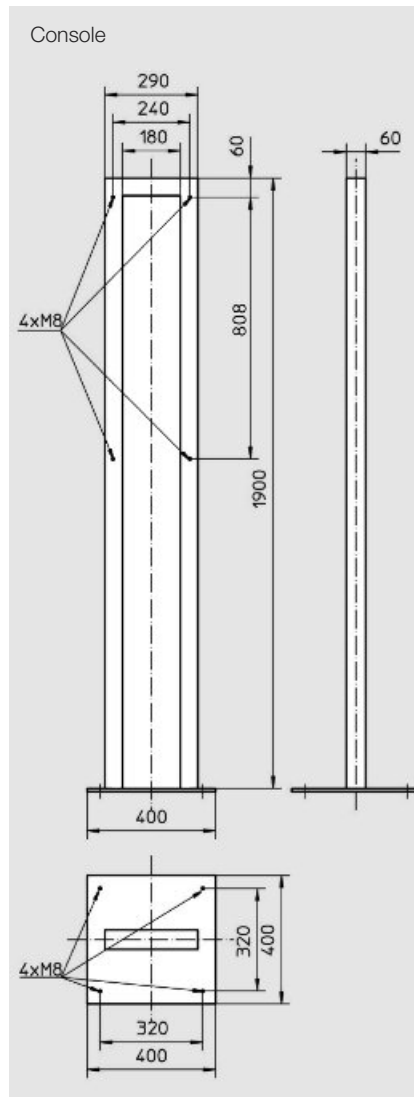
GRP
DIN 5510
Class S4

Material inside:

Perforated plate metal ST37-2

Material insulation:

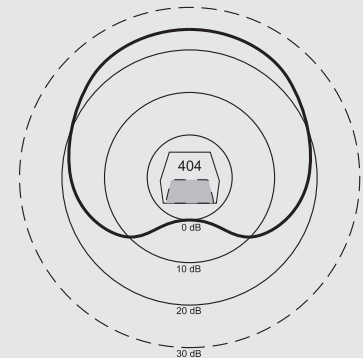
Rockwool RAF-SE



Dimensions are approximate

Hood

Directional diagram



Order information

Type	Name	Colour	Article no.
Type 404	GRP	orange (to look similar RAL 2000)	118 901 23
Type 404	GRP	yellow (to look similar RAL 1023)	118 901 22
	Console, sheet steel		118 901 03

Subject to change without notice · Printout 12/09

Telephone Protection Hood Type 404 / Metal

Especially suitable for use in noisy work environments

- ▶ Sound absorbt up to 25 dB(A)
- ▶ Weatherproof
- ▶ RAL coatings yellow or red, other colours on request
- ▶ Sheet steel or in stainless steel available



Application

The telephone protection hood is an excellent aid to cut out extraneous noise and improve audibility in noisy surroundings when open telephones have to be installed for economic reasons.

The special shape of the hood and its inner lining of sound-absorbing material optimally reduces noise in the area of the telephone. Eavesdropping is also made difficult. The best acoustic effect is achieved when the protection hood is mounted with its back facing the noise source or loudest noise source (see directional diagram of sound-level reduction).

Design

The protection hood is made of sheet steel or stainless steel and lined on the inside with soundabsorbing mineral fibre boards behind a perforated plate cover.

Telephoning in areas with noisy surrounding

The best acoustic effect is achieved when the protection hood is mounted with its back facing the noise source.



Technical specifications

Housing	Hot-galvanized sheet steel or stainless steel	
Paint	Powder coated	
Colour Hood	Yellow, red, stainless steel special coating on request	
Colour Console (optional)	Yellow	
Sound absorbt	Up to 25 dB(A)	
Dimension	As per drawing	
Weight	Sheet steel	35 kg
	Stainless steel	40 kg
	Console	17 kg

Material sheet steel

Out ST37-2

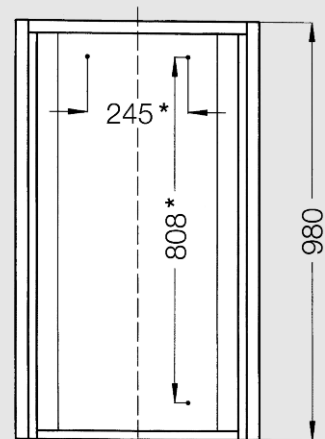
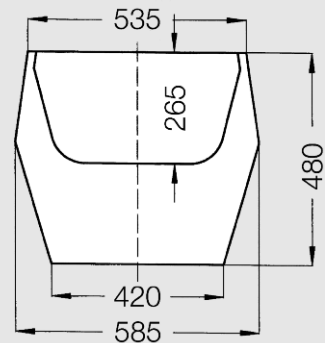
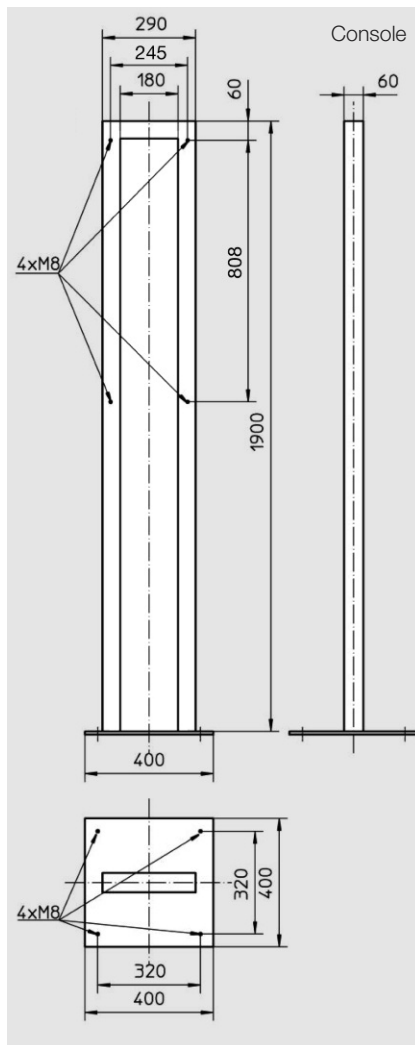
Perforated metal ST37-2

Material Stainless steel

Out 1.4571

Perforated metal 1.4301

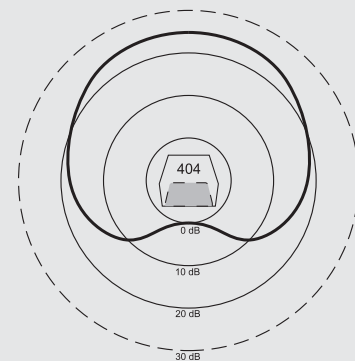
Insulation Rockwool
RAF-SE



* Difference due to manufacturing tolerance is possible

Hood

Directional diagram



Order information

Type	Name	Colour	Article no.
Type 404	Protection Hood Sheet steel	yellow (RAL 1023)	118 901 01
Type 404	Protection Hood Sheet steel	red (RAL 3020)	118 901 14
Type 404	Protection Hood, stainless steel		118 901 11
	Console, sheet steel		118 901 03

Subject to change without notice · Printout 11/09

Telephone Protection Hood Type 404 / Synthetic material

**Especially suitable for use
in noisy work environments**

- ▶ Sound absorbt up to 25 dB(A)
- ▶ Weatherproof
- ▶ RAL coatings on request
- ▶ Synthetics



Application

The telephone protection hood is an excellent aid to cut out extraneous noise and improve audibility in noisy surroundings when open telephones have to be installed for economic reasons.

The special shape of the hood and its inner lining of sound-absorbing material optimally reduces noise in the area of the telephone. Eavesdropping is also made difficult. The best acoustic effect is achieved when the protection hood is mounted with its back facing the noise source or loudest noise source (see directional diagram of sound-level reduction).

Design Synthetic material

The protection hood is made of synthetic material and lined on the inside with sound-absorbing mineral fibre boards behind a perforated plate cover.

Outdoor Telephoning

Soundproofing at a cable route



Technical specifications

Housing	Synthetic material, material dyed in (red, yellow)
Paint	Powder coated e.g. orange Special coating on request
Dimension	As per drawing
Weight	Head 30 kg Console 17 kg
Colour Console	Yellow
Sound absorbt	Up to 25 dB(A)

Material outsides:

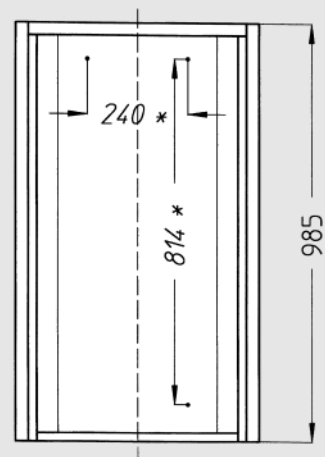
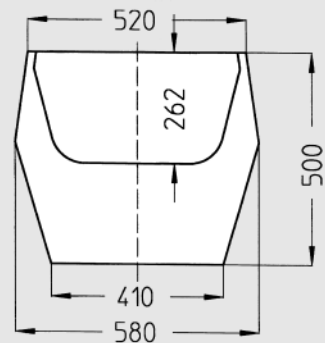
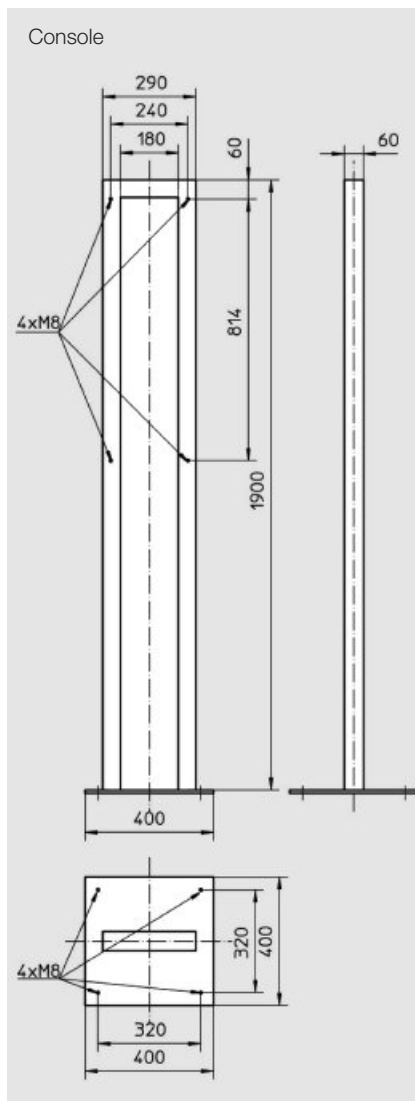
Roughly PVC
UV and weather-solid
High impact resistant as
DIN ISO 11833-1
Resistant against many
acidities and lyes
Flame resistant as
DIN ISO 4102
Deep drawing quality

Material inside:

Perforated plate metal ST37-2

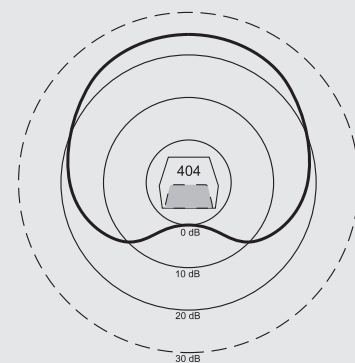
Material insulation:

Rockwool RAF-SE



Hood

Directional diagram



Order information

Type	Name	Colour	Article no.
Type 404	Protection Hood	orange (similar RAL 2000)	118 901 12
Type 404	Protection Hood	yellow (similar RAL 1023)	118 901 13
Type 404	Protection Hood	red (similar RAL 3020)	118 901 15
	Console, sheet steel		118 901 03

Subject to change without notice · Printout 11/13